

Product Details

Magnifying Mirrors Unlighted

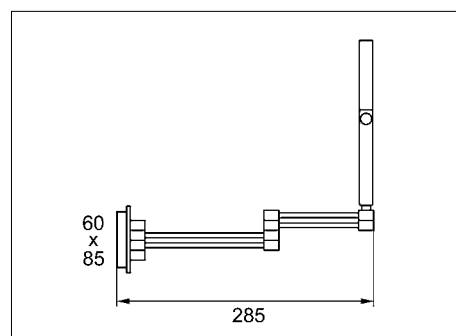
Reflection

ZaZa



- Twin arm
- 2 mirrors: plain and 3x magnification
- Covered screws

Code	Version	
020740	chrome	ø 200 mm



Cleaning Instructions - Magnifying Mirrors:

- **Mirror Lens**
Wipe down with a light solution of soap suds. Do NOT use sponges or cloths that may damage the surface. Wipe with a damp cloth. Polish with a dry soft cotton cloth.
- **Chrome Trim & Arms**
Do NOT use any cleaners containing acids, ammonia or abrasives. The use of such products even in a diluted form may damage the finish.

ALISEO GmbH · Leutkirchstraße 63 · 77723 Gengenbach

Tel. +49 (0) 7803-60279-0

Fax +49 (0) 7803-60279-30

E-Mail: info@aliseo.de · Internet: www.aliseo.de

ALISEO GmbH
G E R M A N Y