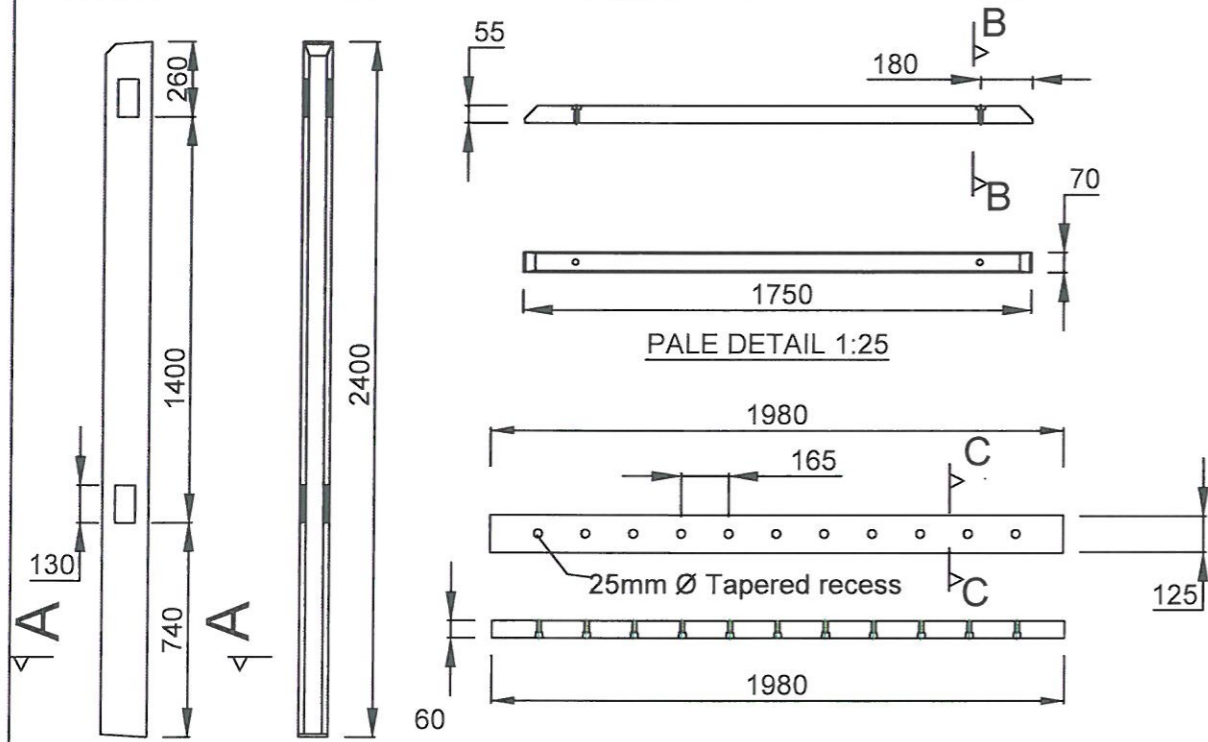
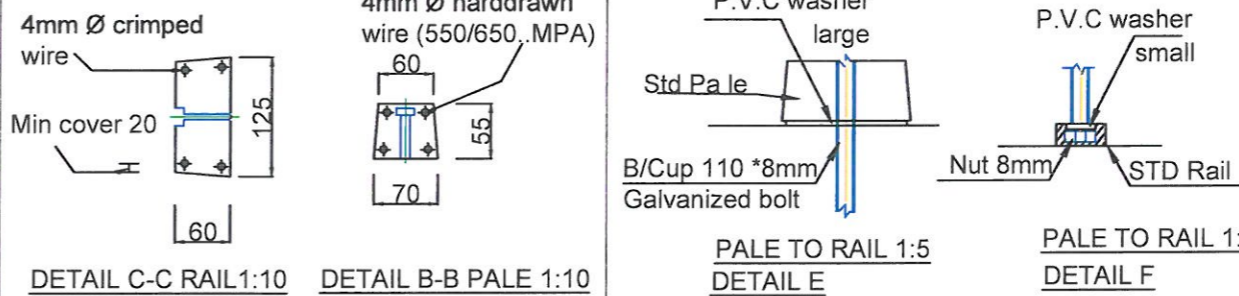
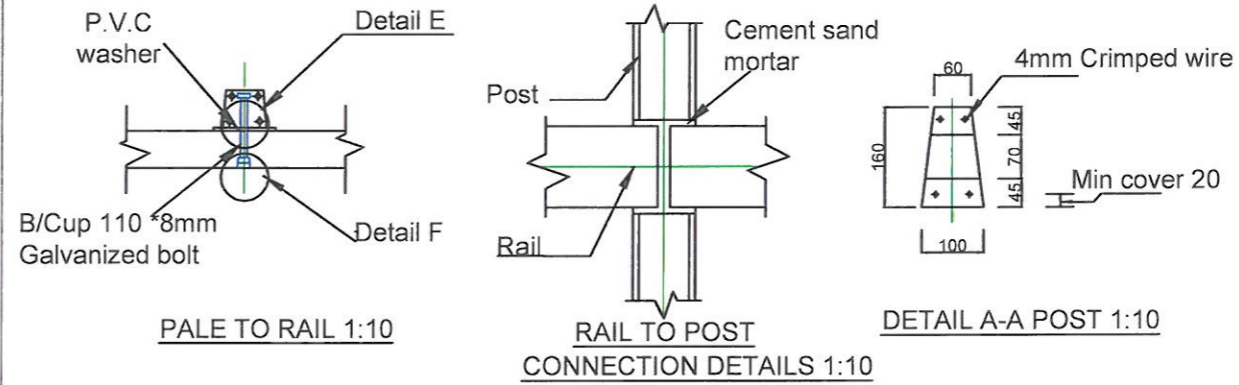


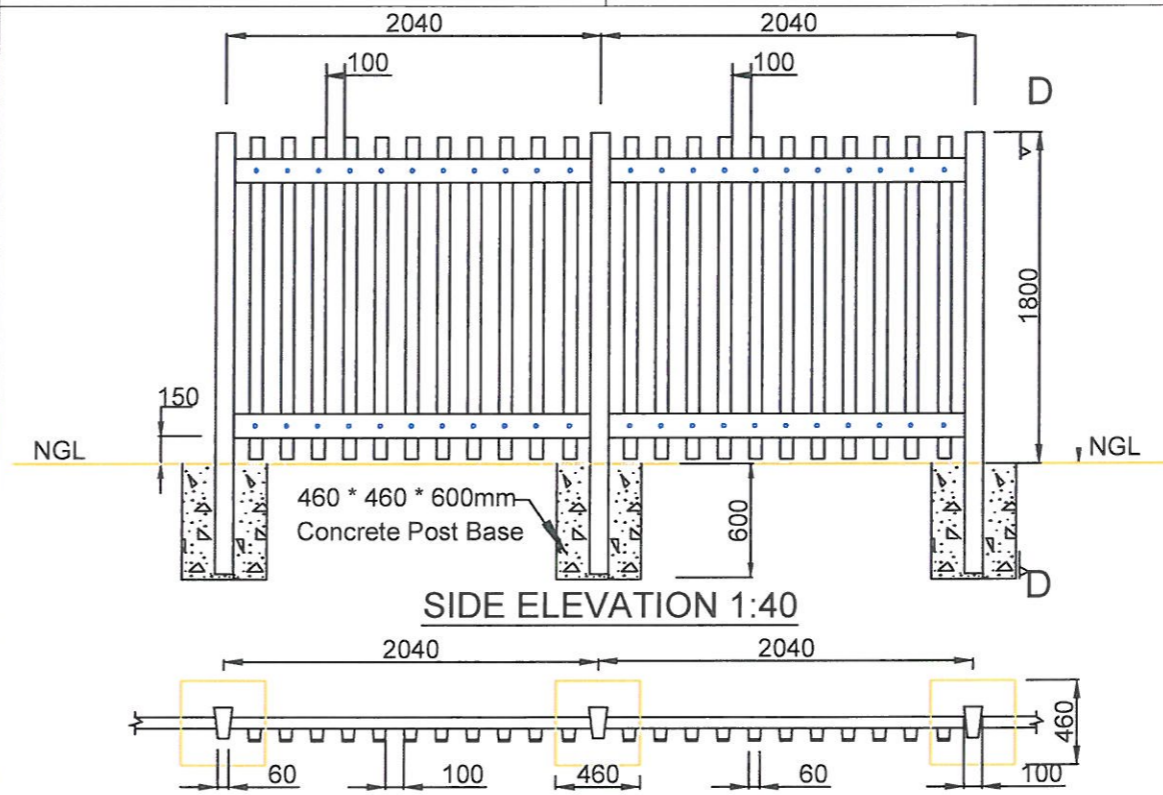
SIDE ELEVATION 1:40

SECTION DD 1:40



POST DETAIL 1:25

RAIL DETAIL 1:25



SIDE ELEVATION 1:40

PANEL SECTION E-E 1:40

GENERAL NOTES:

THE CONTRACTOR TO KEEP A FULL SET OF DRAWINGS ON SITE. DO NOT SCALE USE FIGURED DIMENSIONS ONLY. ANY DISCREPANCIES TO BE REPORTED BEFORE WORK COMMENCES. THE CONTRACTOR TO IDENTIFY ALL UNDERGROUND SERVICES ON SITE BEFORE WORK STARTS. CONSTRUCTION TO BE IN ACCORDANCE WITH THE SPECIFICATIONS.

STANDARD 2.4M POST

2.4m LONG AND SLOTTED TO TAKE HORIZONTAL LOAD BEARING RAILS REAR SECTION 100mm & FRONT 60mm, THICKNESS 160mm POST SPACED AT 2.0m CENTER. 4x4mm PRESTRESSED INDENTED WIRE AS REINFORCEMENT.

STANDARD RAILS

RAILS LENGTH 1.98m WITH 11*10mm HOLES. RAILS - 125mm WIDE & 60mm DEEP. RAILS TO BE GROUTED INTO POSTS. 4x4mm PRESTRESSED INDENTED WIRE AS REINFORCEMENT.

STANDARD 1.8 PALES

1.8m LONG WITH TWO 10mm HOLES REAR SECTION 70mm WIDE AND FRONT SECTION 60mm WIDE. THE PALES ARE 55mm THICK. SPACED AT +/- 165mm CENTERS

FOUNDATIONS

EACH POST TO BE EMBEDDED IN CONCRETE FOUNDATION 460 * 460 * 600mm DEEP

BOLTS

THE HOLES MUST BE FILLED WITH CEMENT MORTAR. ALL BOLTS ELECTRO - GALVANISED

TITLE: 1.8 STANDARD PALISADE FENCE

DRAWING No: 18/05

CLIENT:

DATE: 05/04/2018

REVISION: 0

DRAWN: P. DZUNGU