

GENERAL NOTES:

THE CONTRACTOR TO KEEP A FULL SET OF DRAWINGS ON SITE. DO NOT SCALE USE FIGURED DIMENSIONS ONLY. ANY DISCREPANCIES TO BE REPORTED BEFORE WORK COMMENCES. THE CONTRACTOR TO IDENTIFY ALL UNDERGROUND SERVICES ON SITE BEFORE WORK STARTS. CONSTRUCTION TO BE IN ACCORDANCE WITH THE SPECIFICATIONS.

INDUSTRIAL POST

3.0m LONG AND SLOTTED TO TAKE HORIZONTAL LOAD BEARING RAILS REAR SECTION 140mm & FRONT 80mm, THICKNESS 225mm POST SPACED AT 2.0m CENTER 6x4mm PRESTRESSED INDENTED WIRE AS REINFORCEMENT

INDUSTRIAL RAILS

RAILS LENGTH 1.98m WITH 9*10mm RAILS - 150mm WIDE & 80mm DEEP RAILS GROUTED INTO POSTS. 4x4mm PRESTRESSED INDENTED WIRE AS REINFORCEMENT

INDUSTRIAL PALES

2.4m LONG WITH TWO 10mm HOLES REAR SECTION 100mm WIDE AND FRONT SECTION 80mm WIDE. THE PALES ARE 75mm THICK. SPACED AT +/- 190mm CENTERS

FOUNDATIONS

EACH POST TO BE EMBEDDED IN CONCRETE FOUNDATION 460 * 460 * 600mm DEEP

BOLTS

THE HOLES MUST BE FILLED WITH CEMENT MORTAR. ALL BOLTS ELECTRO - GALVANISED

TITLE: 2.4 INDUSTRIAL PALISADE FENCE

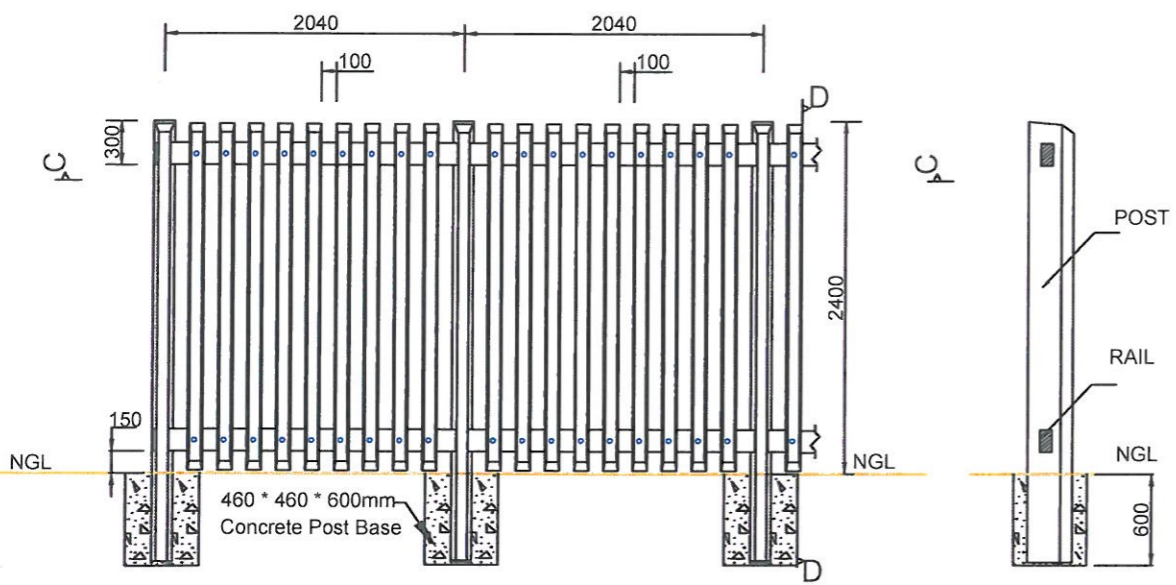
DRAWING No: 18/02

DATE: 16/02/2018

CLIENT:

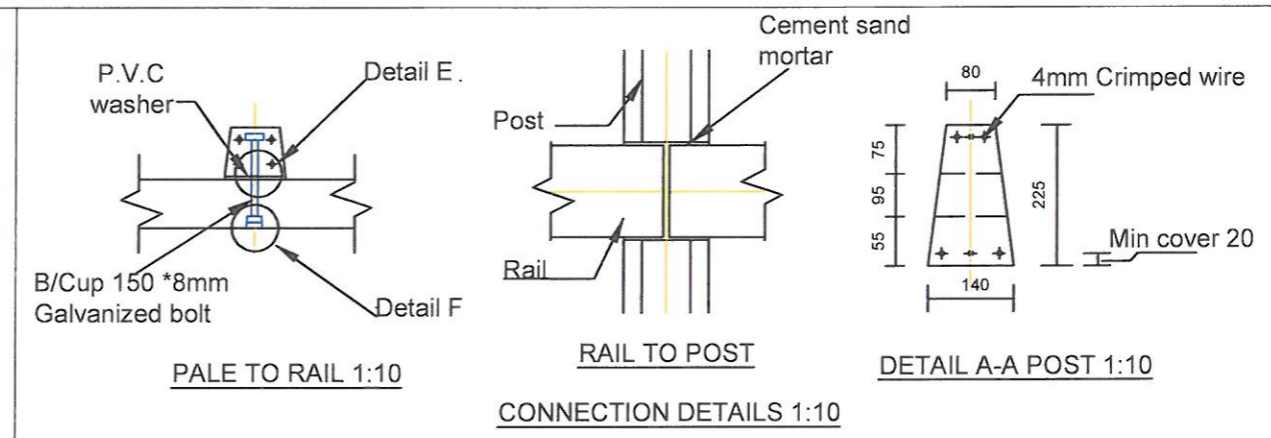
REVISION: 0

DRAWN: P. DZUNGU



SIDE ELEVATION 1:50

SECTION DD 1:50

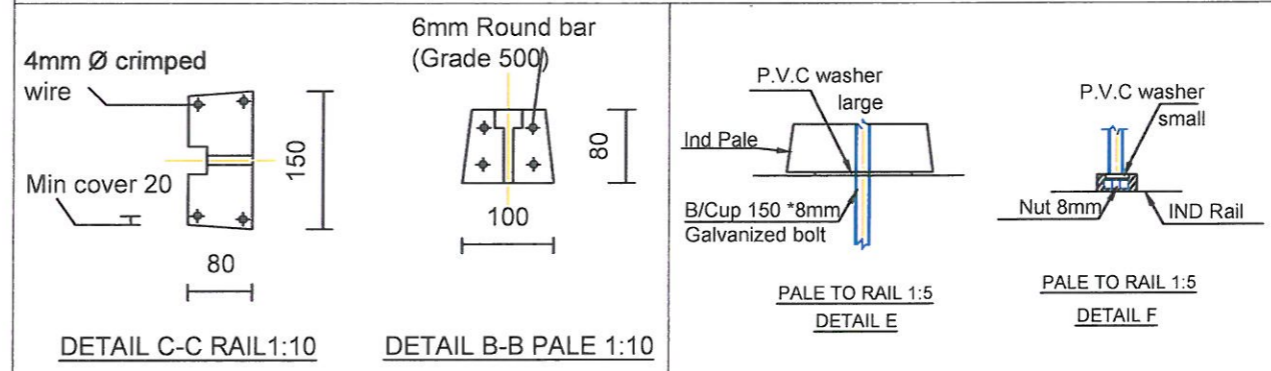


PALE TO RAIL 1:10

RAIL TO POST

DETAIL A-A POST 1:10

CONNECTION DETAILS 1:10

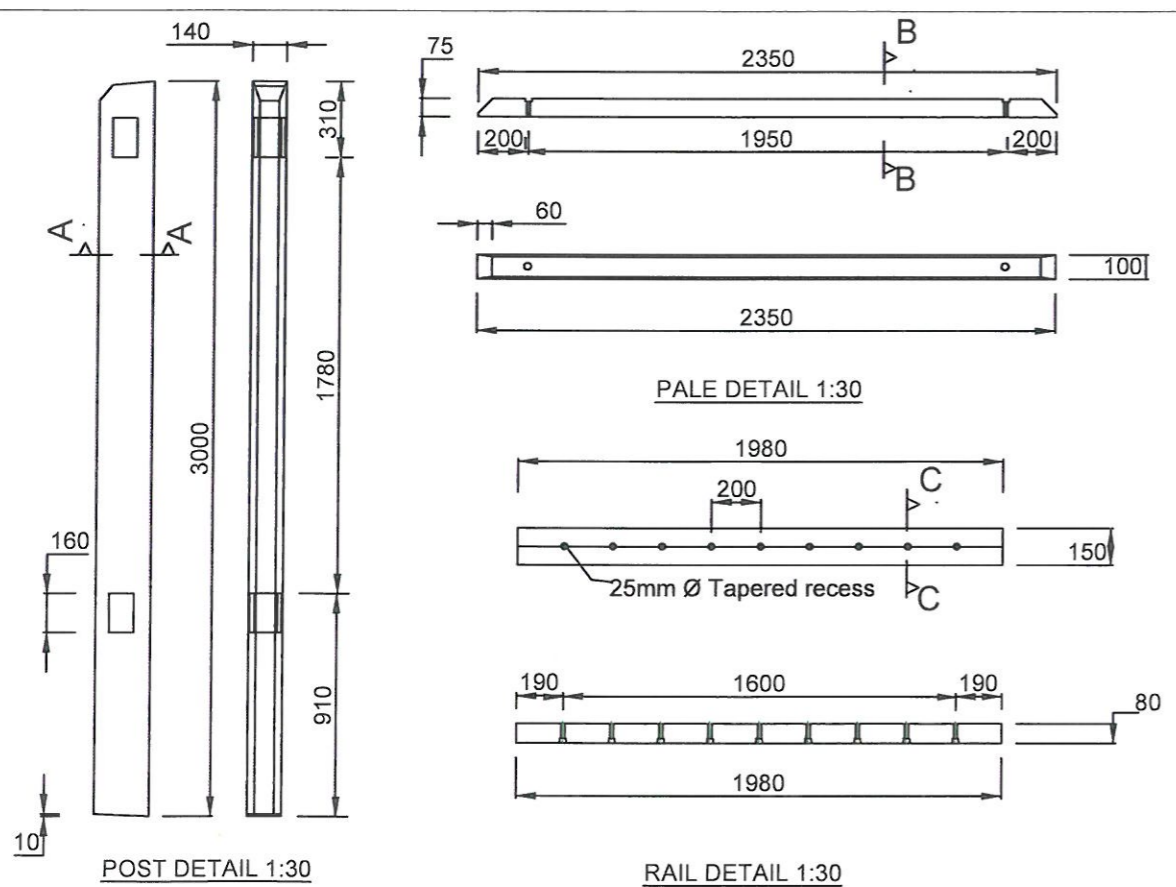


DETAIL C-C RAIL 1:10

DETAIL B-B PALE 1:10

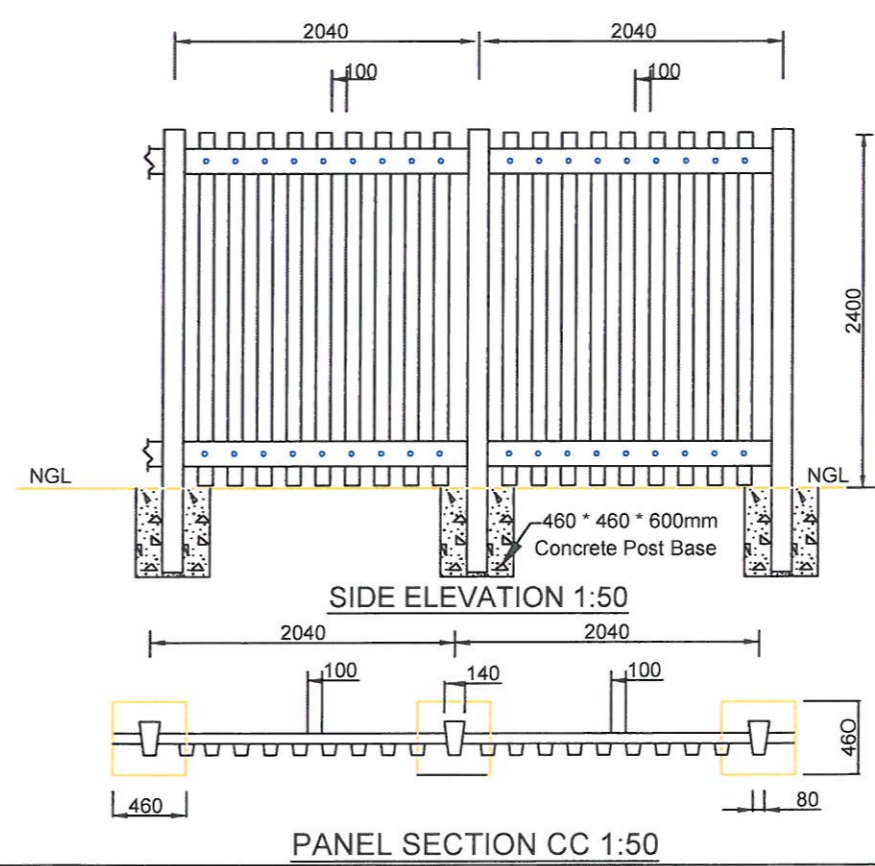
PALE TO RAIL 1:5

PALE TO RAIL 1:5



POST DETAIL 1:30

RAIL DETAIL 1:30



SIDE ELEVATION 1:50

PANEL SECTION CC 1:50