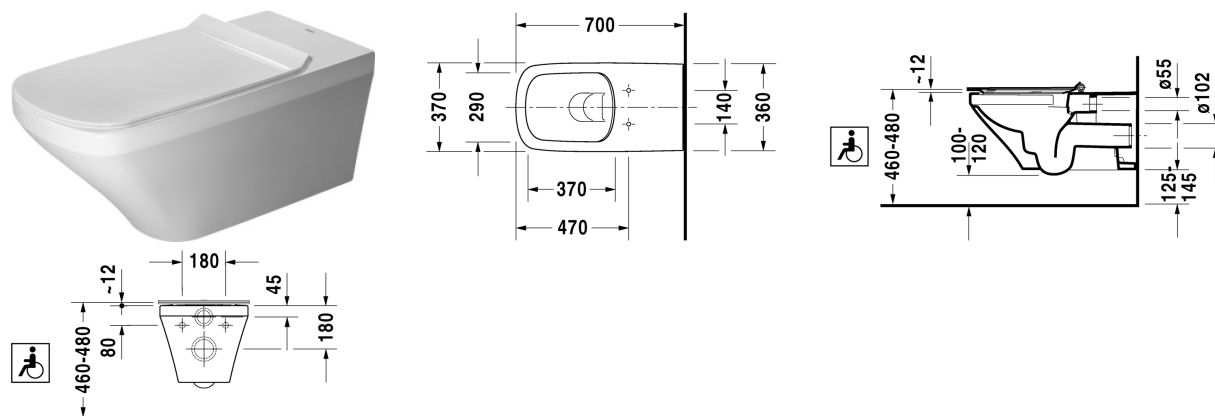


Toilet wall mounted Duravit Rimless® # 2559090000

| < 370 mm > |



Toilet wall mounted Duravit Rimless®	Dimension	Weight	Order number
rimless, washdown model, suitable for barrier-free applications, projection 700 mm, Durafix included, EWL class 1, 4,5 l			
Colors			
00 White Alpin			
Variant			
♦	370 x 700 mm	30,500 kg	2559090000
Sanitary ceramics with the special WonderGliss surface finish will remain clean and attractive-looking for a long time to come. When ordering WonderGliss please add a "1" as eleventh digit to the model number.			
Accessory			
Toilet seat and cover elongated, with lateral reinforcement and extended hinge shaft, hinges stainless steel, without soft closure		3,400 kg	006231
Toilet seat and cover elongated, with lateral reinforcement and extended hinge shaft, hinges stainless steel, with soft closure		3,500 kg	006239
Toilet seat ring elongated, with lateral reinforcement and extended hinge shaft, hinges stainless steel, without soft closure		2,100 kg	006251
Toilet seat and cover removable, elongated, hinges stainless steel, without soft closure		3,100 kg	006051
Toilet seat and cover removable, elongated, hinges stainless steel, with soft closure		3,000 kg	006059
Fixing for wall mounted bidet and wall mounted toilet	Ø 12 x 180 mm	0,200 kg	006500
Noise reduction gasket for wall mounted toilet		0,300 kg	005064

Toilet wall mounted Duravit Rimless® # 2559090000

|< 370 mm >|

Suitable products

Toilet seat and cover removable, elongated, hinges stainless steel, without soft closure,

006051

Toilet seat and cover removable, elongated, hinges stainless steel, with soft closure,

006059

Toilet seat and cover elongated, with lateral reinforcement and extended hinge shaft, hinges stainless steel, without soft closure,

006231

Toilet seat ring elongated, with lateral reinforcement and extended hinge shaft, hinges stainless steel, without soft closure,

006251

Toilet seat and cover elongated, with lateral reinforcement and extended hinge shaft, hinges stainless steel, with soft closure,

006239

All drawings contain the necessary measurements which are subject to standard tolerances. They are stated in mm and are non-binding. Exact measurements, in particular for customised installation scenarios, can only be taken from the finished ceramic piece.