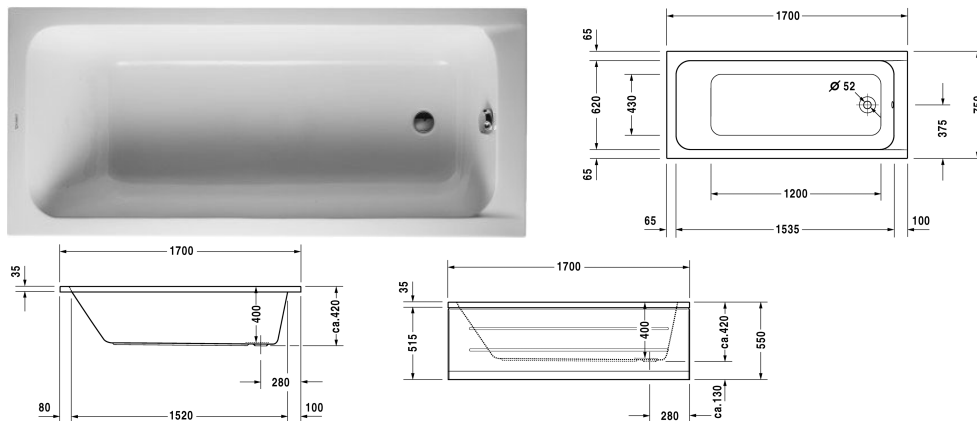


D-Code Bathtub # 700100000000000

| < 1700 mm > |



Bathtub	Dimension	Weight	Order number
rectangle, with one backrest slope, outlet in foot area, sanitary acrylic , Filling capacity 120 litre			
Colors			
00 White Alpin			
Variant			
built-in, Basic model	1700 x 750 mm	20.000 kilogram	700100000000000
Suitable setting			
Bathtub handle chrome			792804
Suitable products			
Support for # 700100,			790474
Panel sideways right, for D-Code bathtubs, *, 750 mm,			701032
Panel front, for D-Code bathtubs, *, 1700 mm,			701027
Panel sideways left, for D-Code bathtubs, *, 750 mm,			701036
Bathtub anchors for mounting and support of D-Code/D-Neo/Duravit No.1 bathtubs and D-Code shower trays, 3 pieces,			790125
Waste and overflow chrome, for D-Code/D-Neo/Duravit No.1 bathtubs with outlet sidewise, outlet diameter 52 mm, length of bowden cable 530 mm,			790225
Rubber profile for noise reduction, length: 3300 mm, Width: 70 mm,			790126
Support frame for D-Code/D-Neo/Duravit No.1 bathtubs and D-Code shower trays, with length > 1000 mm, height-adjustable from 115 - 180 mm, height-adjustable from 135 - 165 mm if a noise reduction set for shower trays is used, 2 pieces,			790127

D-Code Bathtub # 700100000000000

|< 1700 mm >|

Noise reduction set for acrylic bathtubs ****, Contents: noise reduction bathtub anchors, bitumen pads, rubber profile # 790126,

791368

All drawings contain the necessary measurements which are subject to standard tolerances. They are stated in mm and are non-binding. Exact measurements, in particular for customised installation scenarios, can only be taken from the finished piece.