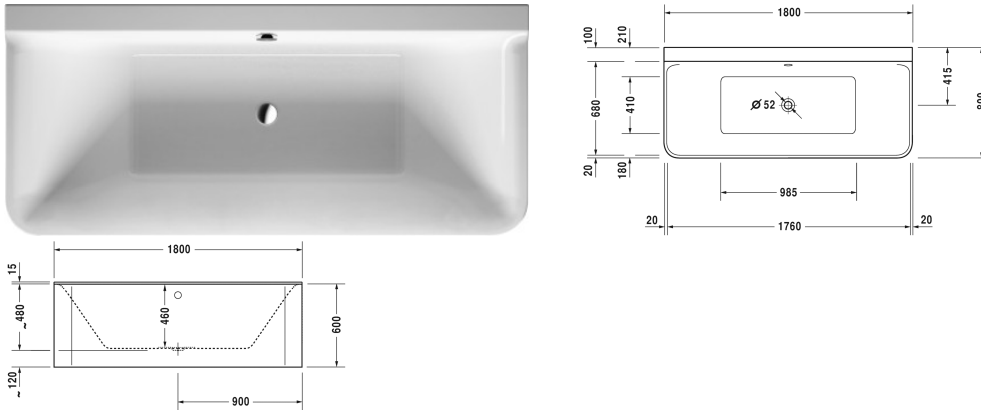


**Bathtub # 70038100000000 / 760381001001000 /
760381002001000 / 760381003001000 / 760381004161000 /
760381005001000**

| < 1800 mm > |



Bathtub	Dimension	Weight	Order number
back-to-wall, with seamless acrylic panel and support frame, with two backrest slopes, 5 mm sanitary acrylic			
Colors			
00 White Alpin			
Variant			
Basic model	1800 x 800 mm	78,000 kg	700381000000000
Air-System	1800 x 800 mm	78,000 kg	760381001001000
Jet-System	1800 x 800 mm	78,000 kg	760381002001000
Combi-System P	1800 x 800 mm	78,000 kg	760381003001000
Combi-System E	1800 x 800 mm	78,000 kg	760381004161000
Combi-System L	1800 x 800 mm	78,000 kg	760381005001000
Accessory for bath- and whirltub			
Headrest white			790011
Bathtub anchors for mounting and support of bathtubs and shower trays, 3 pieces			790103
Rubber profile for noise reduction and sealing against moisture, length: 3300 mm			790104
Accessory for bathtub			
Waste and overflow Quadroval chrome, with flexible hose, outlet diameter 52 mm, length of bowden cable 650 mm			790291
Waste and overflow Quadroval with water inlet, *			790292
Waste and overflow with base inlet, **			791228
Surcharge for drillings of the tub rim for faucet, from rim width 100 mm			790650

Bathtub # 700381000000000 / 760381001001000 /
 760381002001000 / 760381003001000 / 760381004161000 /
 760381005001000

|< 1800 mm >|

LED coloured light with remote control for bathtubs, (white - 00, chrome -10)	790840
Sound for bathtubs	791851
Accessory for whirltub	
Surcharge for waste and overflow Quadroval, with water inlet, *	791206
Surcharge for waste and overflow Quadroval, with base inlet, **	791229
LED coloured light for whirltubs with Air-System, Jet-System, Combi-System P, Durapearl-System	791850
Sound for whirltubs with Air-System, Jet-System, Combi-System P, Durapearl-System	791852
Sound for whirltubs with Combi-System E	791853
Sound for whirltubs with Combi-System L	791880

All drawings contain the necessary measurements which are subject to standard tolerances. They are stated in mm and are non-binding. Exact measurements, in particular for customised installation scenarios, can only be taken from the finished ceramic piece.