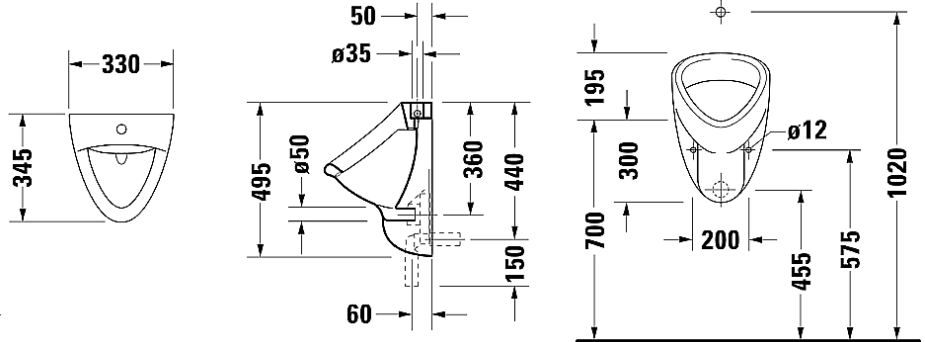


Urinal # 0832320000

|< 330 mm >|



Toilet wall mounted	Dimension	Weight	Order number
visible inlet, syphonic action, vertical or horizontal outlet		12,00 kg	0831320000
Colors			
00 White Alpin			
Accessory			
Fixations	$\varnothing 6 \times 70$ mm	0,400 kg	0067011000
Water inlet mechanism	1/2" mm	0,100 kg	6958000000
Siphon horizontal	$\varnothing 50$ mm	0,200 kg	0051120000
Siphon horizontal	$\varnothing 50$ mm	0,200 kg	0051110000
Urinal screen		0,200 kg	0050420000

All drawings contain the necessary measurements which are subject to standard tolerances. They are stated in mm and are non-binding. Exact measurements, in particular for customised installation scenarios, can only be taken from the finished ceramic piece.