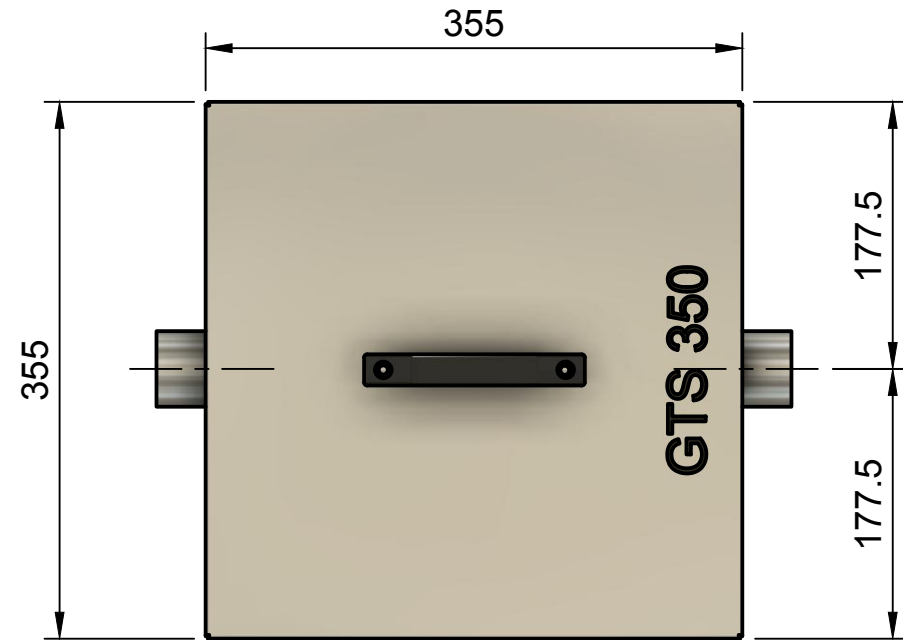
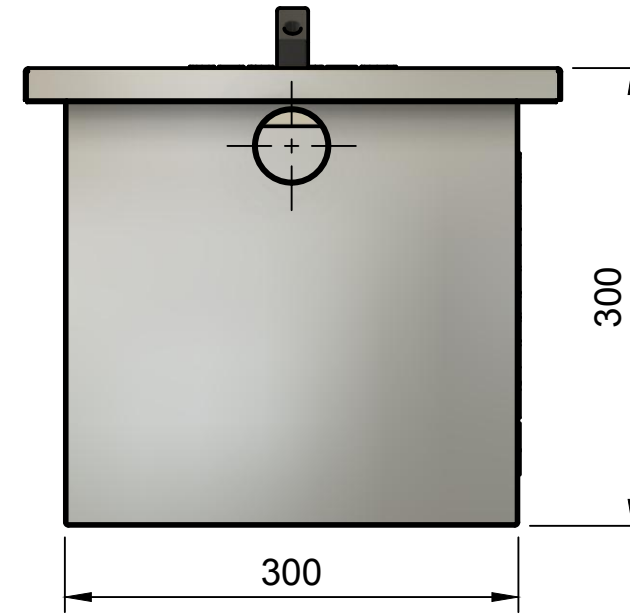


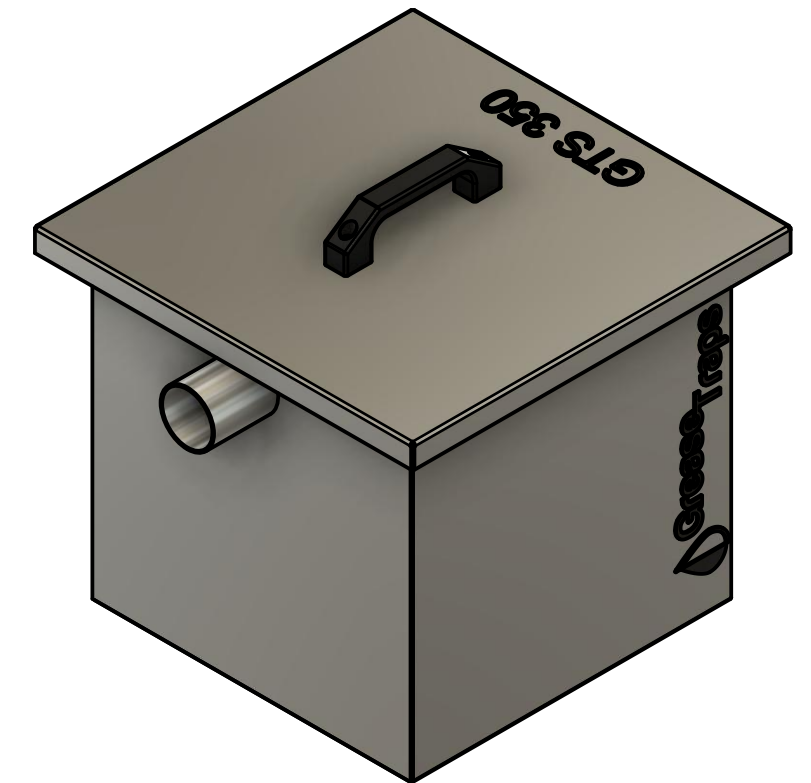
**Side View**  
Scale 1:5



**Top View**  
Scale 1:5




**Front View**  
Scale 1:5



Manufactured for all residential and intermediate industrial kitchen use

- \* 304 and 316 Stainless steel material supply options
- \* Removable strainer for solids deposits
- \* removable lids for maintenance access
- \* 110ml and 50ml options in and out let diameter pipe
- \* Plastic handles
- \* Maintenance intervals to be confirmed once installed [www.greasetraps.co.za](http://www.greasetraps.co.za)
- \* Warranty 2 years

Dept. KZN	Technical reference H. Vorster	Created by W. Louw	2018/04/06	Approved by H. Vorster	2018/04/06
		Document type General Arrangement	Document status Approved		
		Title GTS 350 Grease Trap <a href="http://www.greasetraps.co.za">www.greasetraps.co.za</a> JHB KZN CPT	DWG No. <b>GA-1000</b>		
		Rev. A	Date of issue 2018/04/06	Sheet 1/1	