



Drop Arm Barrier

Product Description:

The Drop Arm Barrier is custom manufactured to replace the standard swing paraplegic gate. This Barrier is also suitable for pedestrians, bicycles and acts as an emergency exit. This Barrier can be operated with a push button or card reader, with a beam closing facility.

Drive:

Torque Motor

Materials

- Housing - 2mm Cold rolled mild steel
- Drop Arm - Stainless Steel piping and Perspex wing

Technical Features

- Engineered for long term reliability, fast on-site maintenance and durability
- Fully recessed removable access door
- Removable Lid for easy access to motor and linkage assembly
- Adjustable mechanism stops provide travel control to Drop Arm Barrier
- Full Electrical isolation and overload protection

Power Failure

In the event of a power failure the Drop Arm Barrier will remain in the closed position

Interface

The Drop Arm Barrier is controlled by means of a BL100T

BL100T

- | | |
|-----|---|
| 1 - | One (0V) Input for opening/closing signal (pulse N/O) |
| 2 - | One (0V) Dry Input for Remote Latching Open/close |
| 3 - | One (220V) Output for Motor |
| 4 - | One (0V) Input for beam |

Technical Data

Dimensions:	310 x 310 x 1060 mm
Power Supply:	220 V DC
Power Rating:	220/250V 50Hz 80W
Logic Voltage:	220 V
Operating Temperature:	0 - 55°C
IP Rating:	IP20

Flow Rates (approx.)

Reader Device	Number per Minute
Insertion Type	12
Insertion Type with Pin Code Keypad	7.5
Swipe Type	15
Swipe Type with Pin Code Keypad	8.5
Proximity	15

Models Available

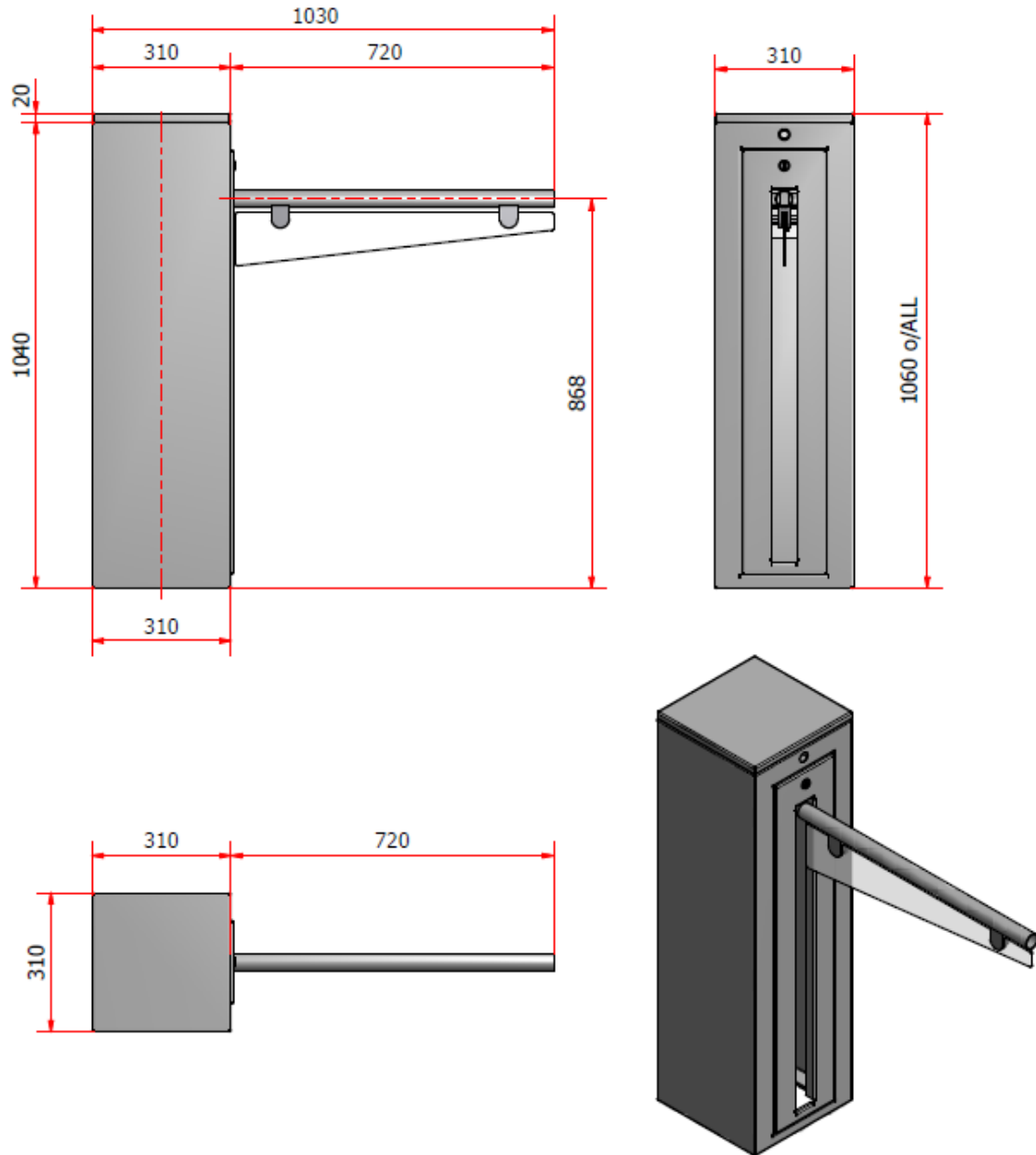
- 2mm Stainless Steel Housing
- 2mm Mild steel Powder Coated

Optional

- Multi count output signal
- Memory for traffic queue faculties
- Proximity Sensor

Site Preparation

Product Delivered as sub-assemblies and may require lifting equipment
(For installation details, please refer to the installation Manual)



105 Nagington Road,
Wadeville, Germiston
Private Bag X023,
Wadeville, 1422

Tel: +27 11 824 5780
Fax: +27 11 824-5766
E-Mail: info@alltechsa.com
Website: www.alltechsa.com

Co. Reg: 1999/005855/07
VAT: 4290184714
PSIRA: 0017196

Directors: A. Vermeulen (General Manager), M. Houseman**, R. Armour
** British