



## Manual Barrier

### Product Description:

The Manual Barrier provides positive, dependable access control for all vehicles entry and exit scenarios. The Boom arm is aluminium with a white powder coating, which is then taped red at 500mm intervals

### Applications:

- Mines
- Car parks
- Hospitals

### Drive:

Manually driven

### Materials

- Post: Mild Steel Powder Coated
- Counter weight: Mild Steel Powder Coated
- Boom Pole: Aluminium

### Technical Features

- Engineered for long term reliability, fast on-site maintenance and durability

### Technical Data

Dimensions: See drawing  
 Operating Temperature: 0 - 55°C

### Flow Rates (approx.)

Manually Operation	Number per Minute
Manual lift	8

## Models Available

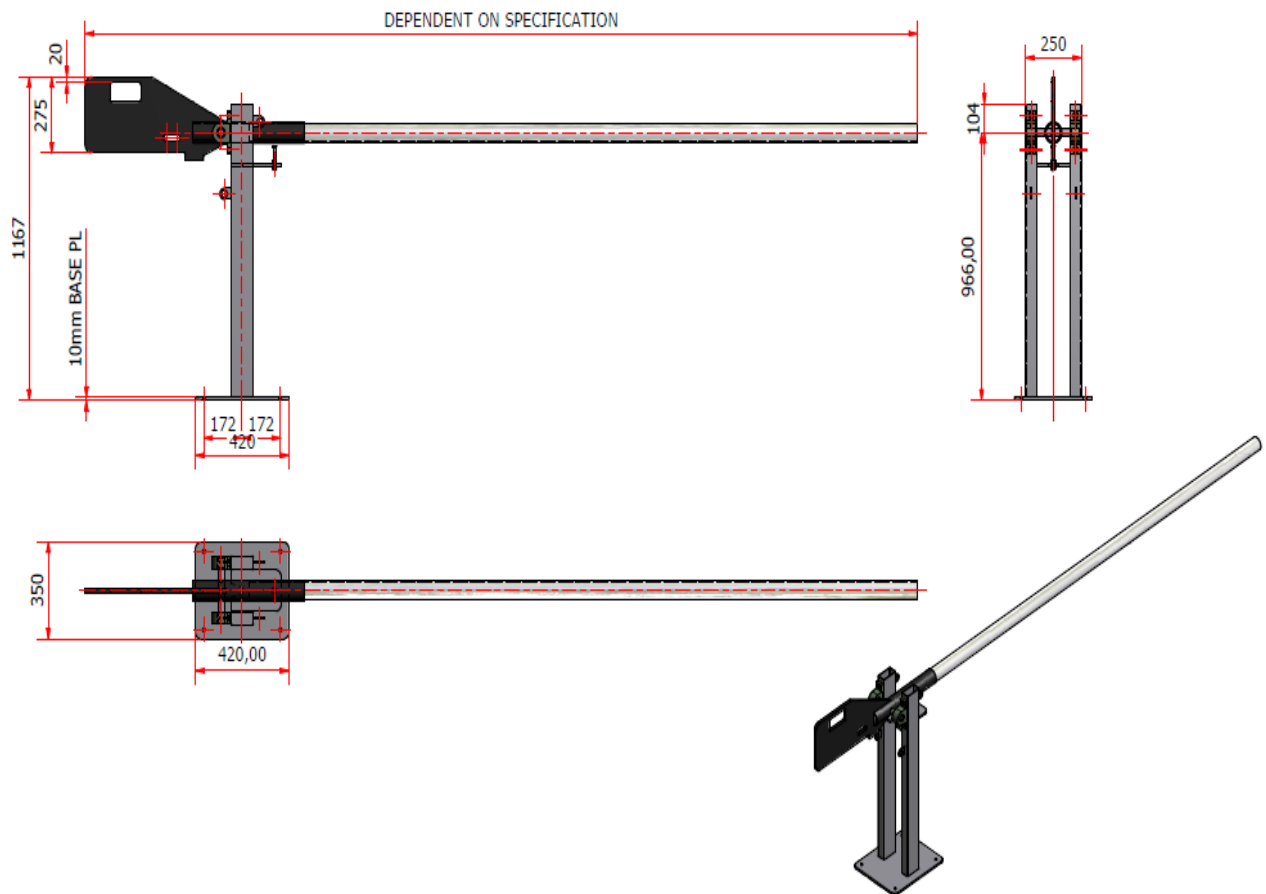
- 3m Manual Barrier
- 4m Manual Barrier
- 5m Manual Barrier
- 6m Manual Barrier

## Optional

- Tip Support

## Site Preparation

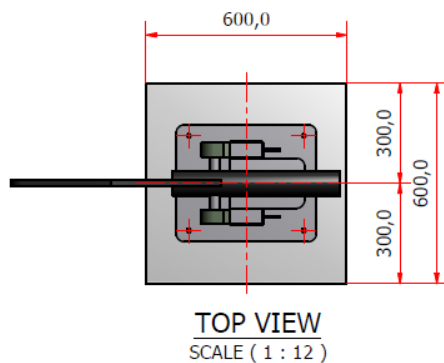
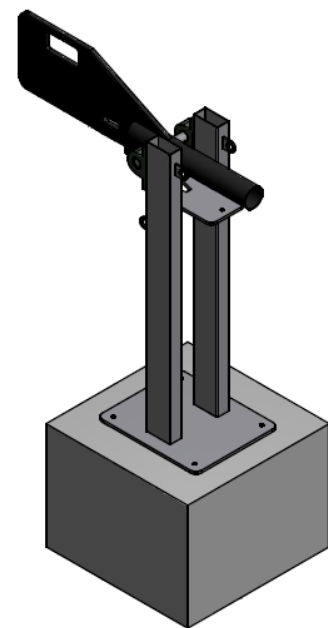
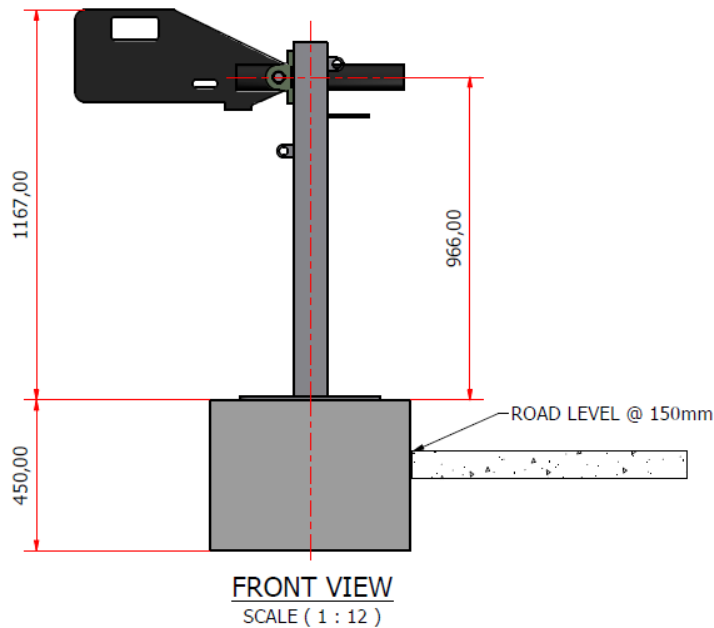
Product Delivered as sub-assemblies and may require lifting equipment  
(For installation details, please refer to the installation Manual)



## Important

- The dimensions given in this Product Data Sheet are for Information only. In order to prepare the installation site, please refer to the installation manual or ask conformation
- It is the customer's responsibility to ensure the structural integrity and strength of the installation

## Concrete slab & floor site preparation



Concrete base to specification at least fck (cube) 300N/mm<sup>2</sup> of resistance  
Base to be flat and level to +/- 5mm over footprint area.  
Dimensions to be 1400 x 800 x 158 deep min. (Units in mm)

105 Nagington Road,  
Wadeville, Germiston  
Private Bag X023,  
Wadeville, 1422

Tel: +27 11 824 5780  
Fax: +27 11 824-5766  
E-Mail: [info@alltechsa.com](mailto:info@alltechsa.com)  
Website: [www.alltechsa.com](http://www.alltechsa.com)

Co. Reg: 1999/005855/07  
VAT: 4290184714  
PSIRA: 0017196

**Directors:** A. Vermeulen (General Manager), M. Houseman\*\*, R. Armour  
\*\* British