



Single and Double Slimline Turnstiles

Product Description:

A comprehensive range of high quality turnstiles allows ALLTECH to cater for a variety of applications, ranging from corporate reception foyers: and recreational areas to low security industrial installations. The turnstile arms are locked in position by solenoids rated for continuous operation.

Applications:

- Corporate Reception Foyers
- Recreational Areas
- Low security Installations

Drive:

Manually Operated, Bi Directional

Materials

- Housing: Mild Steel Powder Coated,
3CR12 Stainless Steel
Stainless Steel 304

Technical Features

- Heavy duty solenoids are rated for continuous duty cycle to ensure optimum reliability.
- Components of the mechanism do not lose their adjustment after years of service under arduous conditions.
- The arms are released for one rotation of 90 (movement to allow one pedestrian entry/exit) by activation signal from a number of sources, e.g. code cards, push buttons, coins, key, computer etc.
- The Turnstile Arm Spacing is designed to ensure a single entry/exit per legitimate activation signal.
- Internal Mechanisms return the rotor to the locked position after each rotation

Power Failure

In the event of an emergency or isolation of power supply, the turnstile can be mechanically released by a cylinder lock incorporated into the mechanism.

Interface

The Slimline Turnstile is controlled by means of a TL100

- 1 & 2 - One input for locking/unlocking the Solenoids for entrance
- 3 & 4 - One input for locking/unlocking the Solenoid for exit

Technical Data

Dimensions:	See Dimensions on page below
Power Supply:	220 V AC
Power Rating:	220/250V 50Hz 80W
Logic Voltage:	220 V
Operating Temperature:	0 - 55°C
IP Rating:	IP20

Flow Rates (approx.)

Reader Device	Number per Minute
Insertion Type	12
Insertion Type with Pin Code Keypad	7.5
Swipe Type	15
Swipe Type with Pin Code Keypad	8.5
Proximity	15

Models Available

- 304 Stainless Steel Housing
- Mild Steel Powder Coated

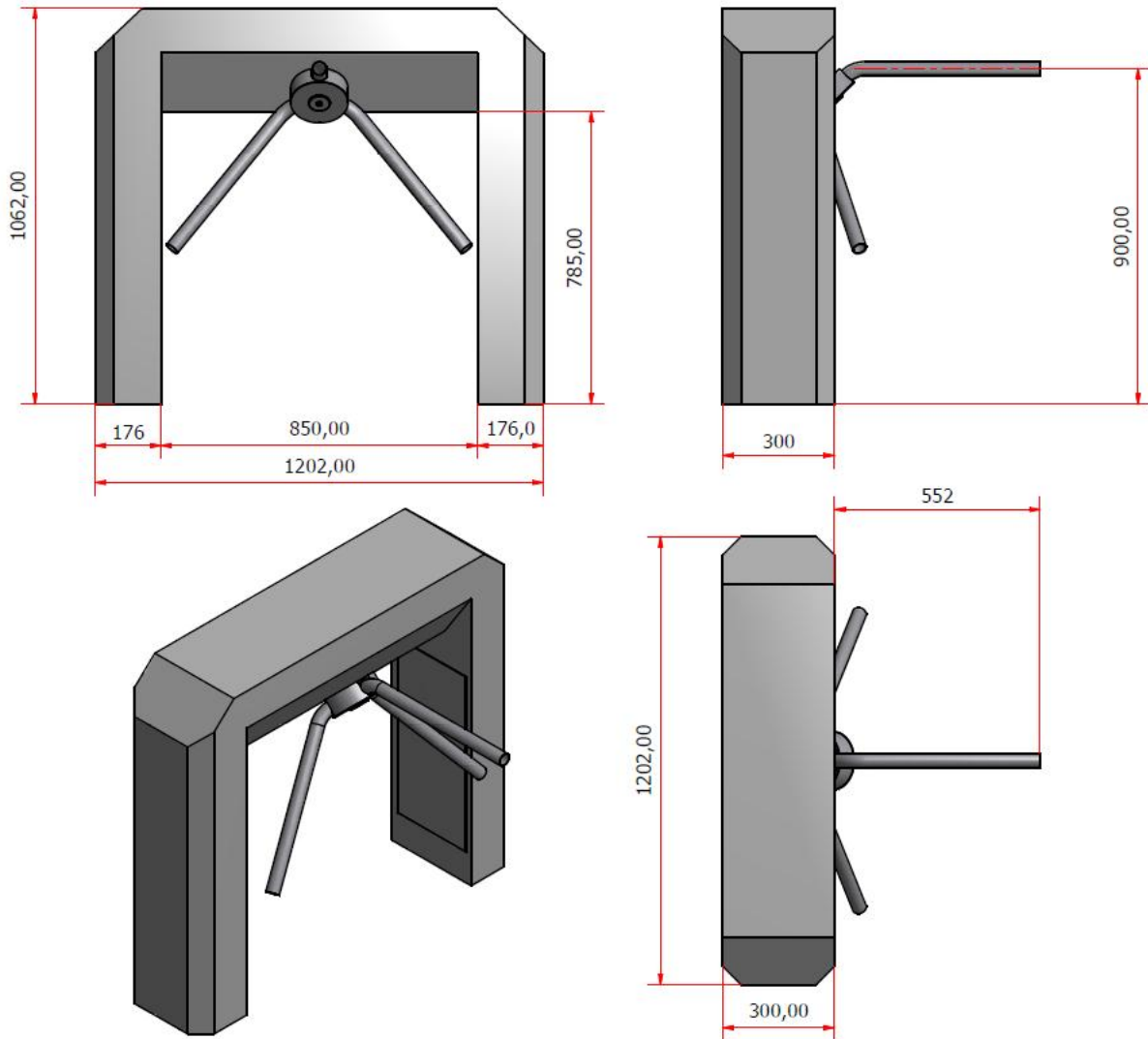
Optional

- Push button

Site Preparation

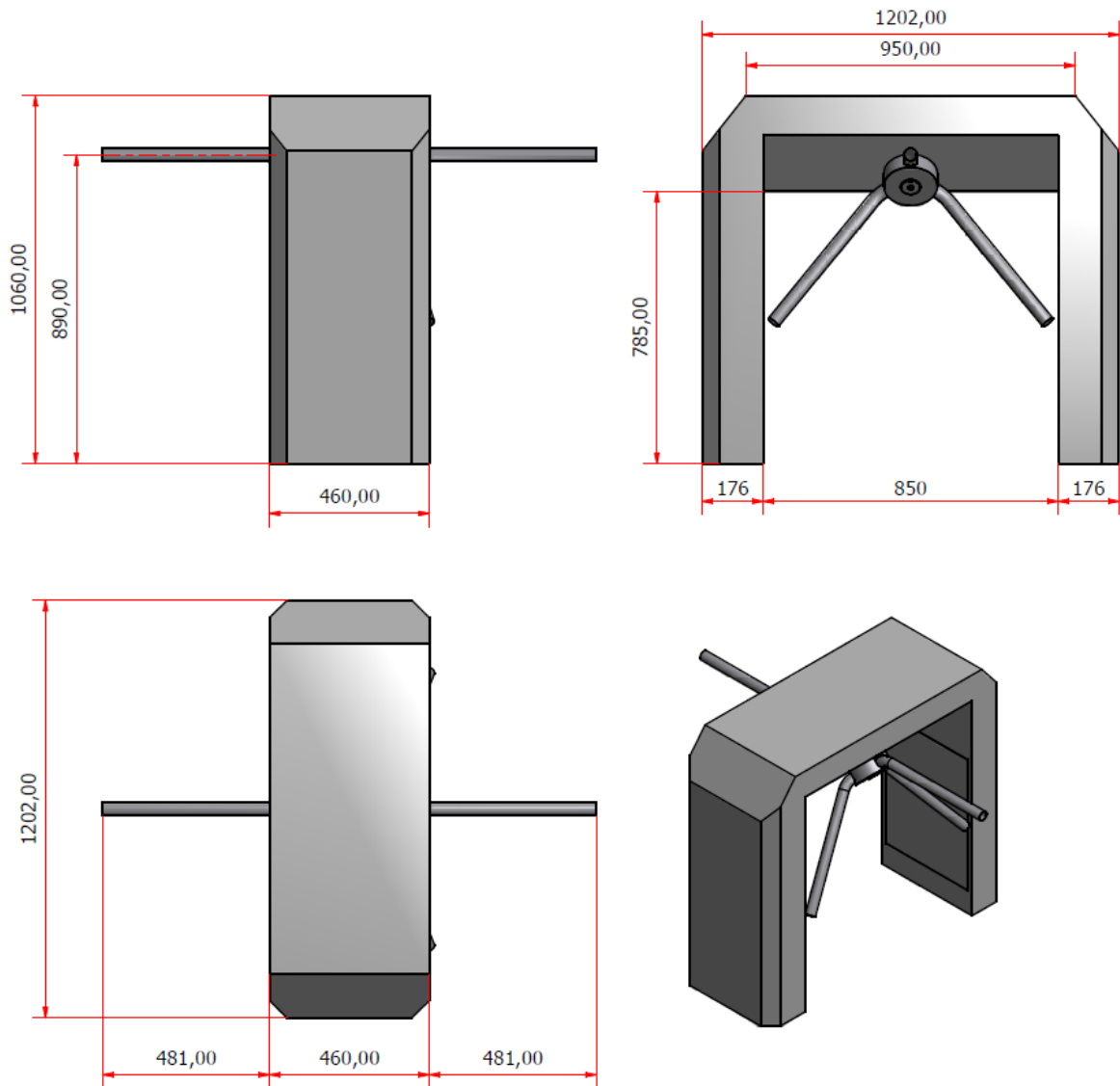
Product Delivered as sub-assemblies and may require lifting equipment
(For installation details, please refer to the installation Manual)

Single Slimline Turnstile



Double Slimline Turnstile

Product Delivered as sub-assemblies and may require lifting equipment
(For installation details, please refer to the installation Manual)



105 Nagington Road,
Wadeville, Germiston
Private Bag X023,
Wadeville, 1422

Tel: +27 11 824 5780
Fax: +27 11 824-5766
E-Mail: info@alltechsa.com
Website: www.alltechsa.com

Co. Reg: 1999/005855/07
VAT: 4290184714
PSIRA: 0017196

Directors: A. Vermeulen (General Manager), M. Houseman**, R. Armour
** British