



Waist Height Glass Turnstile

Product Description:

ALLTECH's Glass Waist Height turnstile is specially designed to accommodate heavy pedestrian traffic. The turnstile arms are locked in position by solenoids rated for continuous operation. The arms are released for one cycle (movement to allow one pedestrian entrance/exit) by activation signal from a number of sources, e.g. coded cards, push buttons, coins, keys, computers etc.

Applications

- Corporate reception foyers
- Recreational areas
- Low security industrial installations

Drive:

Hand Operated, Bi-directional

Materials

Framework – 304 Stainless Steel
Rotor Arms – Glass 10mm Toughened

Technical Features

- Heavy-duty solenoids are rated for continuous duty cycle to ensure optimum reliability.
- Components of the mechanism do not lose their adjustments after years of service under arduous conditions.
- The arms are released for one rotation of 90 or 120 degrees (movement to allow one pedestrian entry/exit) by activation signal from a number of sources, e.g. code cards, push buttons, coins, key, computer etc.
- The Turnstile Arm Spacing is designed to ensure a single entry/exit per legitimate activation signal.
- Internal Mechanisms return the rotor to the locked position after each rotation

Power Failure

In the event of an emergency or isolation of power supply, the turnstile can be mechanically released by a cylinder lock incorporated into the mechanism.

Interface

The Waist Height Glass Turnstile is controlled by means of a TL100

TL100

TL100 Logic

- One (0V) input provided for entry direction control
- One (0V) input provided for exit direction control
- Mechanical Key-Switch override for opening/Locking each individual direction
- One (0V) Input Latching to terminals 1 and 2 for more than 20 seconds will open for both directions (Emergency Override)

Technical Data

| | |
|------------------------|--------------------------|
| Dimensions: | See details on next page |
| Power Supply: | 220 V AC |
| Power Rating; | 220v 50/60Hz |
| Logic Voltage: | 220 V |
| Operating Temperature: | 0 - 55°C |
| IP Rating: | IP20 |

Flow Rates (approx.)

| Reader Device | Number per Minute |
|-------------------------------------|-------------------|
| Insertion Type | 12 |
| Insertion Type with Pin Code Keypad | 7.5 |
| Swipe Type | 15 |
| Swipe Type with Pin Code Keypad | 8.5 |
| Proximity | 15 |

Models Available

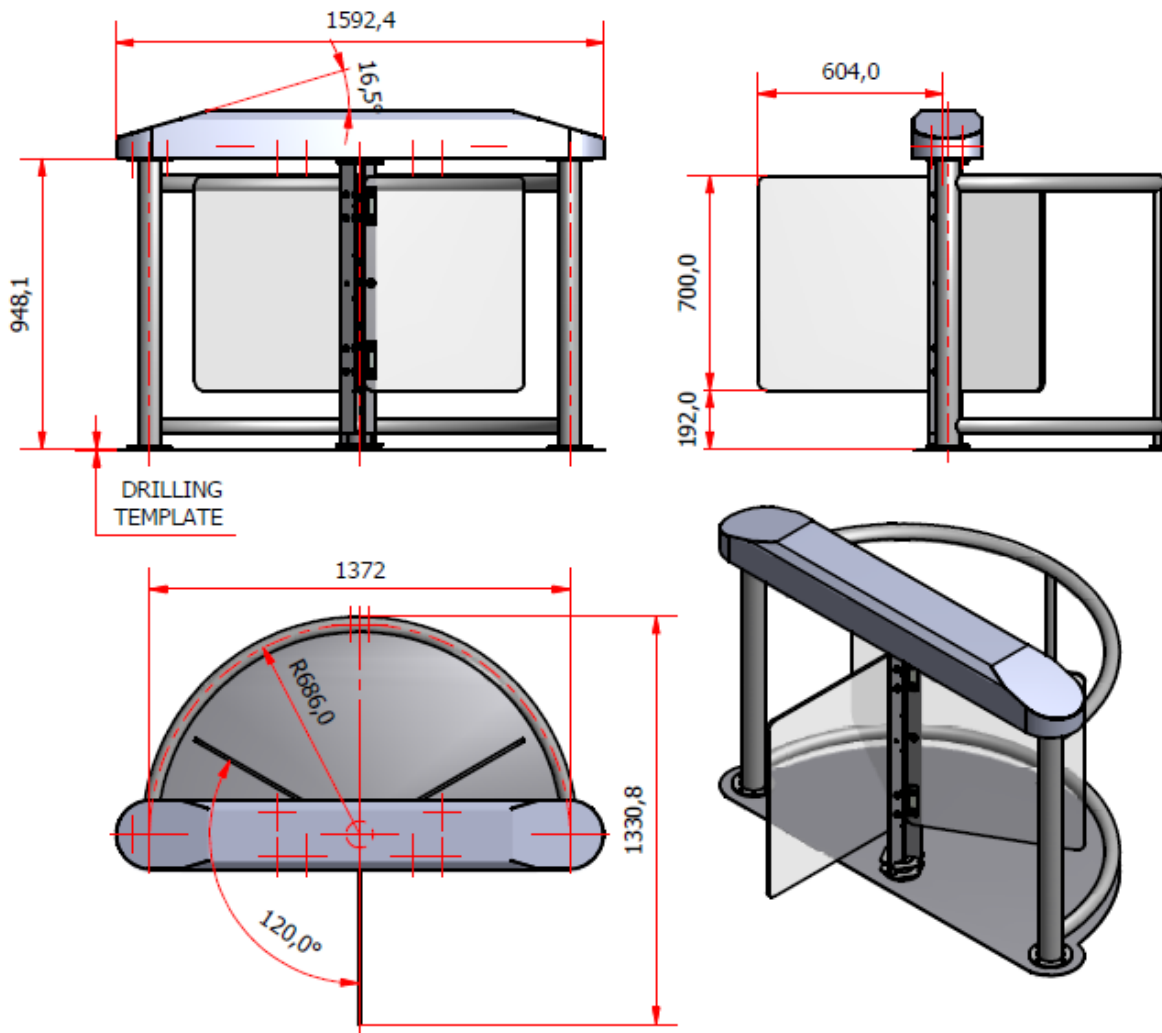
- 304 Stainless Steel Housing
- Mild Steel Powder Coated

Optional

- Electrical Unidirectional and bi-directional control
- Fail Safe or Fail Lock Head Mechanism

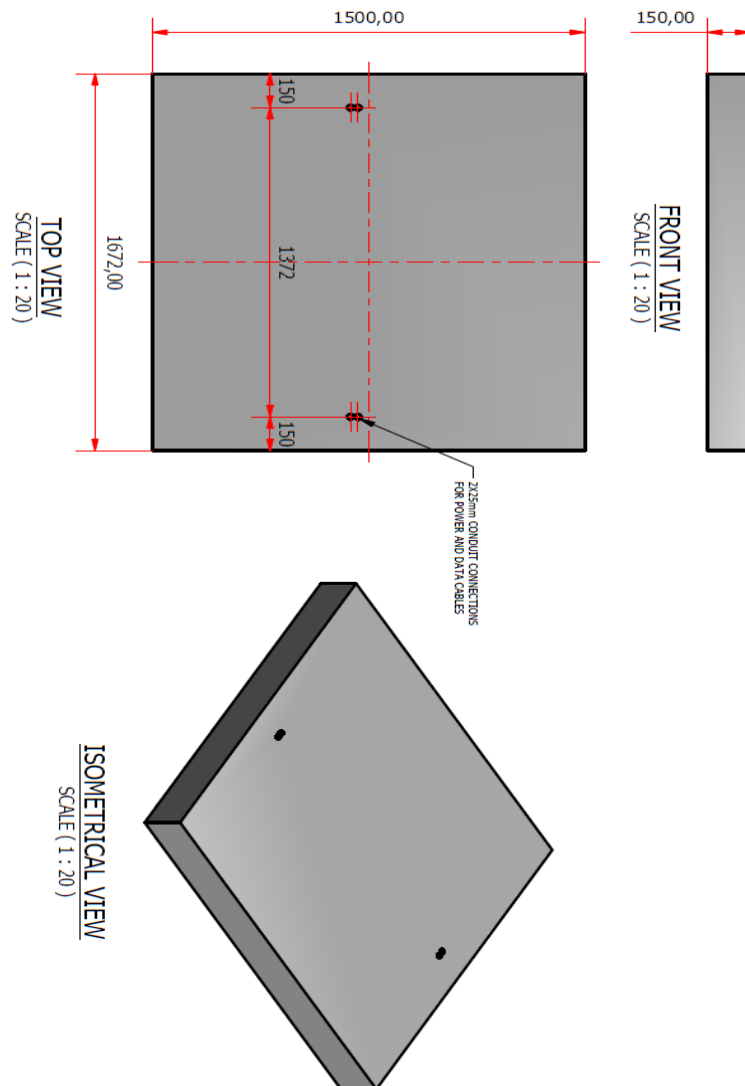
Site Preparation

Product Delivered as sub-assemblies and may require lifting equipment
(For installation details, please refer to the installation Manual)



Important

- Any horizontal pipe or conduit running below the “Turnstile” must be at least 140mm below FFL
- The dimensions given in this Product Data Sheet are for Information only. In order to prepare the installation site, please refer to the installation manual or ask conformation
- Metal conduit for cables should be raised at least 50mm from Foundation
- It is the customer’s responsibility to ensure the structural integrity and strength of the installation



105 Nagington Road,
Wadeville, Germiston
Private Bag X023,
Wadeville, 1422

Tel: +27 11 824 5780
Fax: +27 11 824-5766
E-Mail: info@alltechsa.com
Website: www.alltechsa.com

Co. Reg: 1999/005855/07
VAT: 4290184714
PSIRA: 0017196

Directors: A. Vermeulen (General Manager), M. Houseman**, R. Armour
** British