

## PRODUCT SPECIFICATION

lid for waste bin PU-200

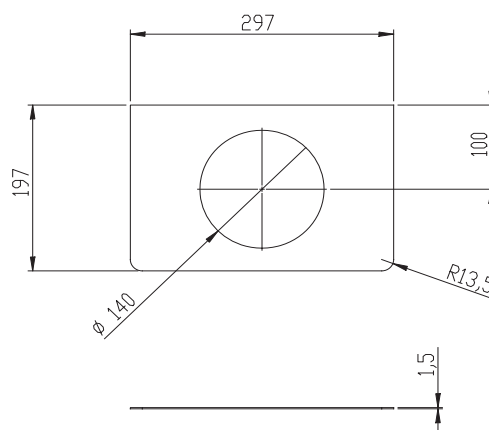
ONE pure  
PU-201

### specification text

lid for waste bin PU-200, , series ONE pure  
made out of stainless steel.

dimensions: 297 x 1,5 x 197 mm

Lid for waste bin PU-200. Made out of stainless steel.  
Series ONE pure.



### further product recommendations



paper towel dispenser  
PU-100



soap dispenser  
PU-140



tissue dispenser  
PU-190



double toilet roll holder  
PU-300



toilet brush holder  
PU-500