

PRODUCT SPECIFICATION

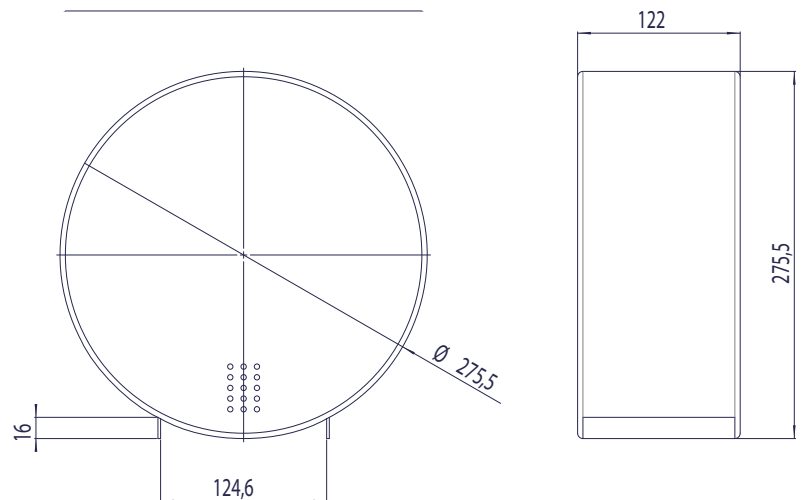
jumbo toilet roll holder ONE pure PU-350

specification text

PROOX jumbo toilet roll holder ONE pure, made out of stainless steel.

dimensions: Ø 276 x 122mm

Jumbo toilet roll holder made out of stainless steel. Surface with fine brushed structure. Cover 0.9mm thickness. For wall mounting. Perforated filling indicator with 4mm drillings. For jumbo rolls with max. 270mm diameter. Lock not visible. Includes stainless steel screws and anchors.



further product recommendations



spare roll holder
PU-390



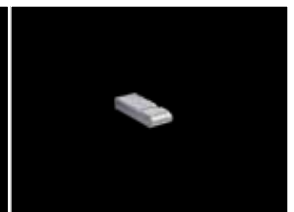
single toilet roll holder
DP-380



toilet brush holder
PU-500



san. napkin disposal bin
PU-400



cloth hook
PU-560