

PRODUCT SPECIFICATION

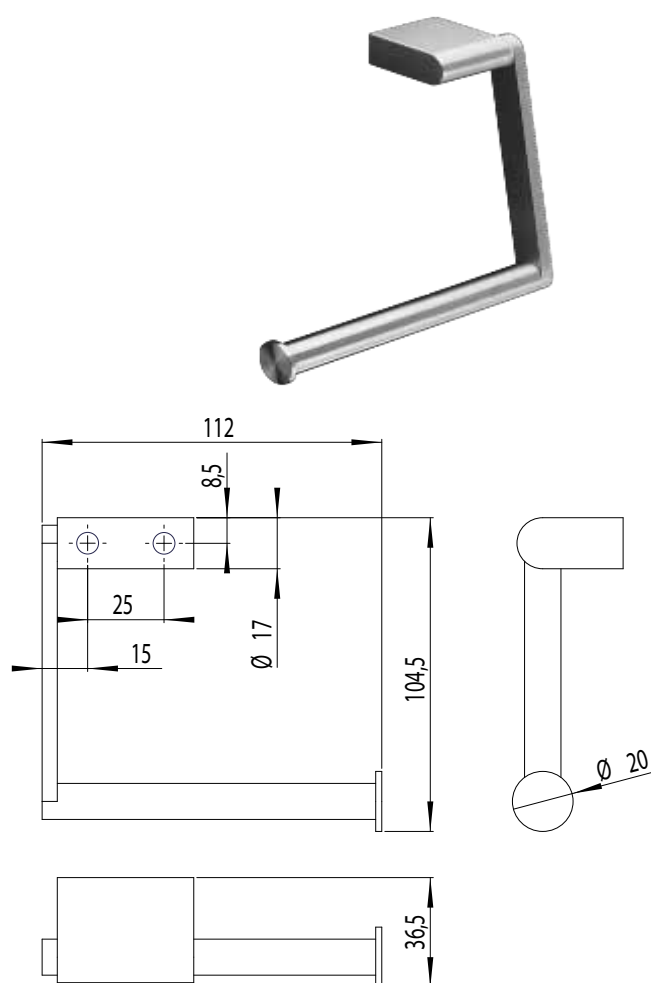
single toilet roll holder ONE pure PU-380

specification text

PROOX single toilet roll holder ONE pure made out of stainless steel.

dimensions: 112 x 100 x 35 mm

Single toilet roll holder completely machined from full stainless steel. Intended for wall mounting. For rolls with max. 105mm width and minimum 17mm tube diameter. Including concealed mounting system with anchors and stainless steel adapter screws.



further product recommendations



spare roll holder
PU-390

toilet brush holder
PU-500

san. napkin disposal bin
PU-400

double toilet roll holder
DP-300

cloth hook
PU-560