

# PRODUCT SPECIFICATION

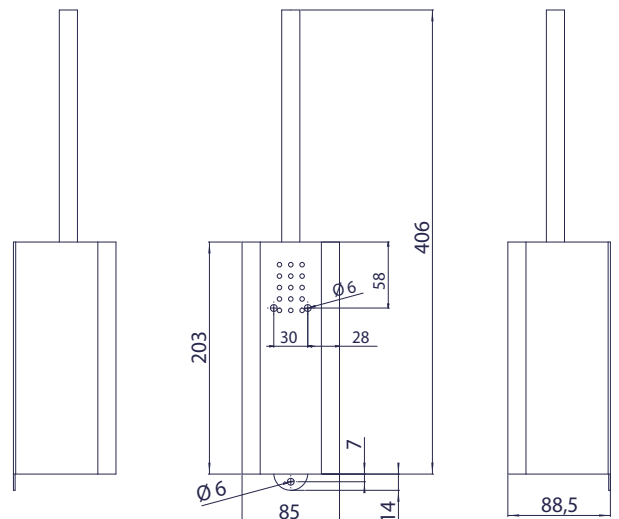
## toilet brush holder ONE pure PU-500

### specification text

PROOX toilet brush holder ONE pure, made out of stainless steel.

dimensions: 85 x 203 x 89 mm (total 406)

Toilet brush holder made out of stainless steel. Surface with fine brushed structure. Cover 1.5 mm thickness, closed all around. Intended for wall mounting. Perforated designed area with 4mm drillings. Including plastic bin for easy cleaning. Brush handle made out of stainless steel. Brush head with functional shape. Including stainless steel screws and anchors.



### further product recommendations



double toilet roll holder  
PU-300

san. napkin disposal bin  
PU-400

single toilet roll holder  
PU-380

spare roll holder  
PU-390

cloth hook  
PU-560