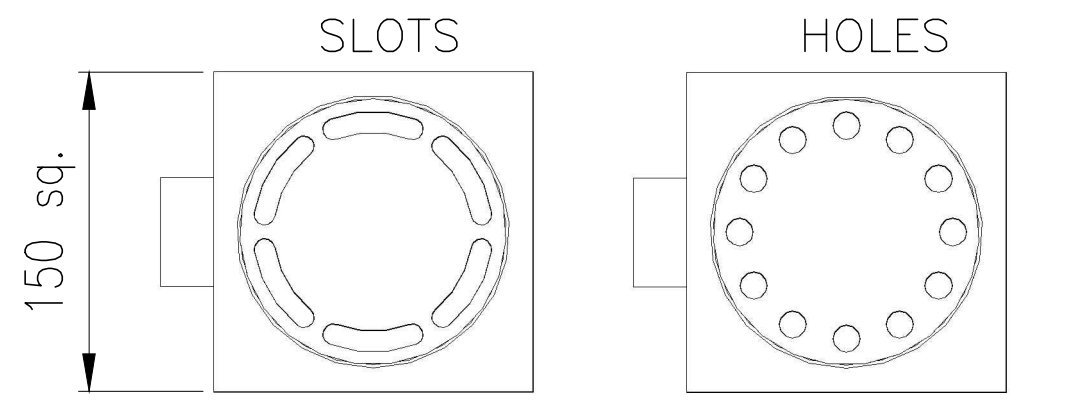
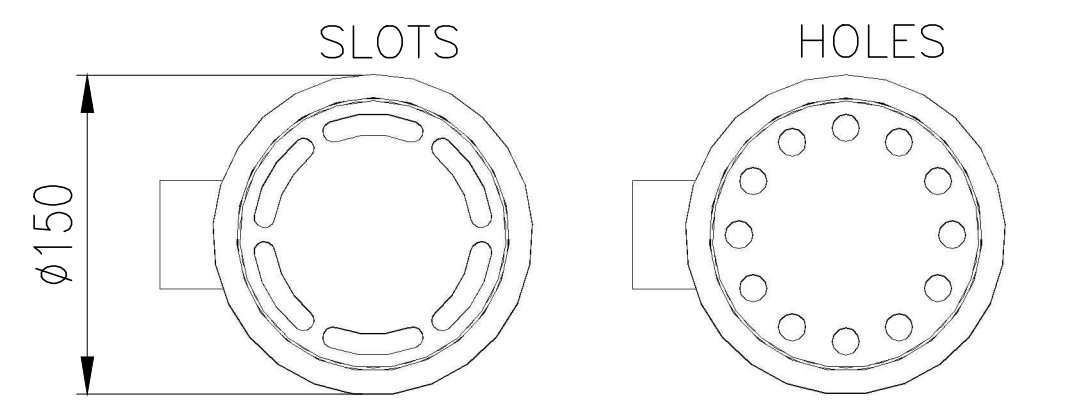


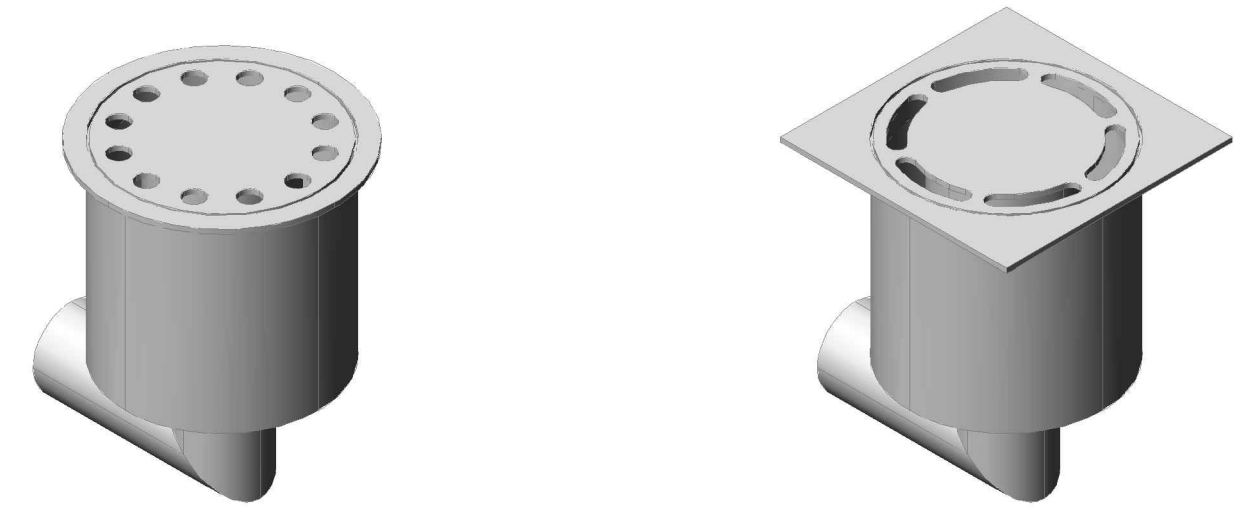
- RO 125H NW50 is unique Full Flow Floor Trap with the following features:
- Manufactured from Stainless Steel 304 to ensure acid corrosion and stain resistance.
 - A single water seal to ensure odour-free operation.
 - Smooth surfaces for easy cleaning, minimum dirt collection and high flow rates.
 - The discharge pipe is fully accessible once the drain has been dismantled.
 - Top Flange Type: Round (For Epoxy Floors) or Square (For Tiled Floors)
 - Top Cover Plate Type: Slots / Holes – as requested
 - ❖ Flow Rate 0.8 l/sec
 - ❖ Load Capacity 400 kg
 - ❖ Outlet position Bottom Horizontal
 - ❖ Outlet pipe Outside Diameter 50.8mm
 - Typical applications: Public toilets, Office Blocks Kitchenettes, Laundries etc.
- NOTE: Floor finish to be specified



SQUARE FLANGE FOR TILED FLOORS



ROUND FLANGE FOR EPOXY FLOORS



RO 125H NW50