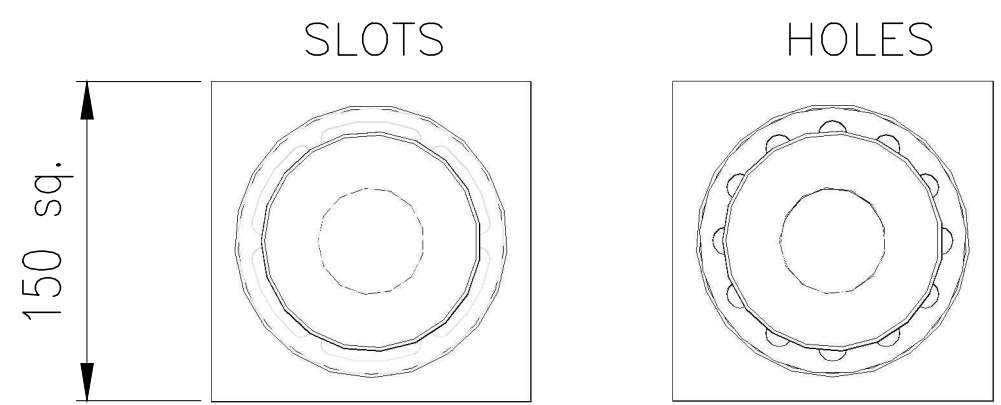


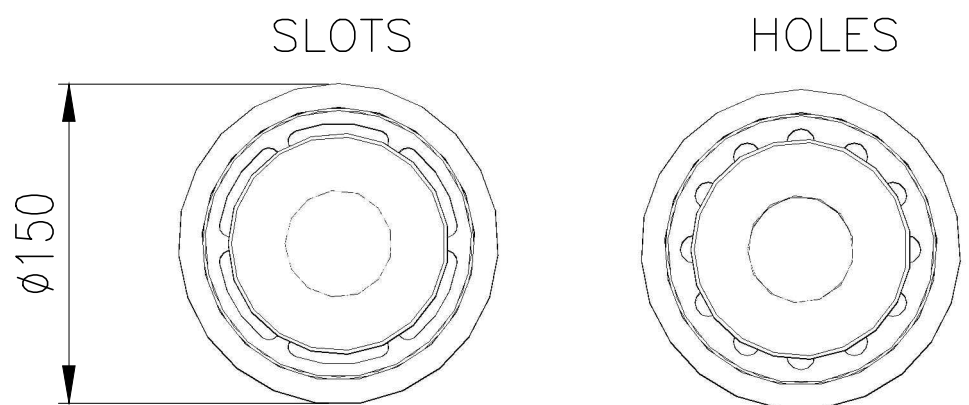
RO 125V NW50 FUNNEL TYPE DRAIN is unique Full Flow Floor Trap with the following features:

- Manufactured from Stainless Steel 304 to ensure acid corrosion and stain resistance.
- A single water seal to ensure odour-free operation.
- Smooth surfaces for easy cleaning, minimum dirt collection and high flow rates.
- The discharge pipe is fully accessible once the drain has been dismantled.
- Top Flange Type: Round (For Epoxy Floors) or Square (For Tiled Floors)
- Top Cover Plate Type: Slots / Holes – as requested
- ❖ Flow Rate 0.8 l/sec
- ❖ Load Capacity 400 kg
- ❖ Outlet position Bottom Vertical
- ❖ Outlet pipe Outside Diameter 50.8mm
- Typical applications: Wherever there is a need to discharge directly in to the drain above the floor level – Kitchenettes, Laundries etc.

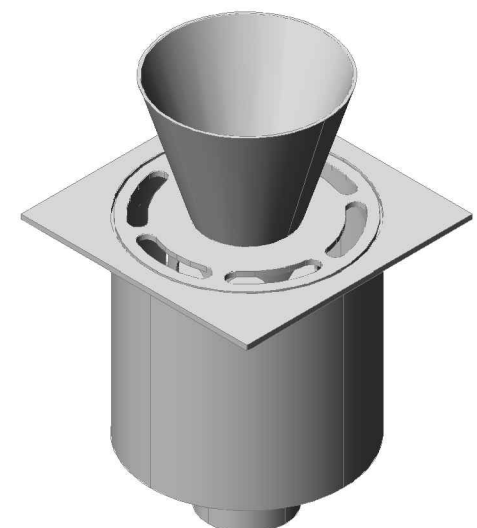
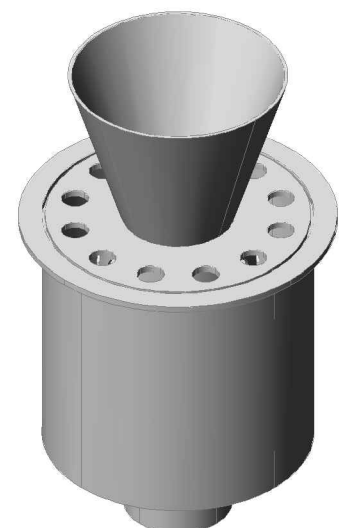
NOTE: Floor finish to be specified



SQUARE FLANGE FOR TILED FLOORS



ROUND FLANGE FOR EPOXY FLOORS



RO 125V NW50 FUNNEL TYPE DRAIN