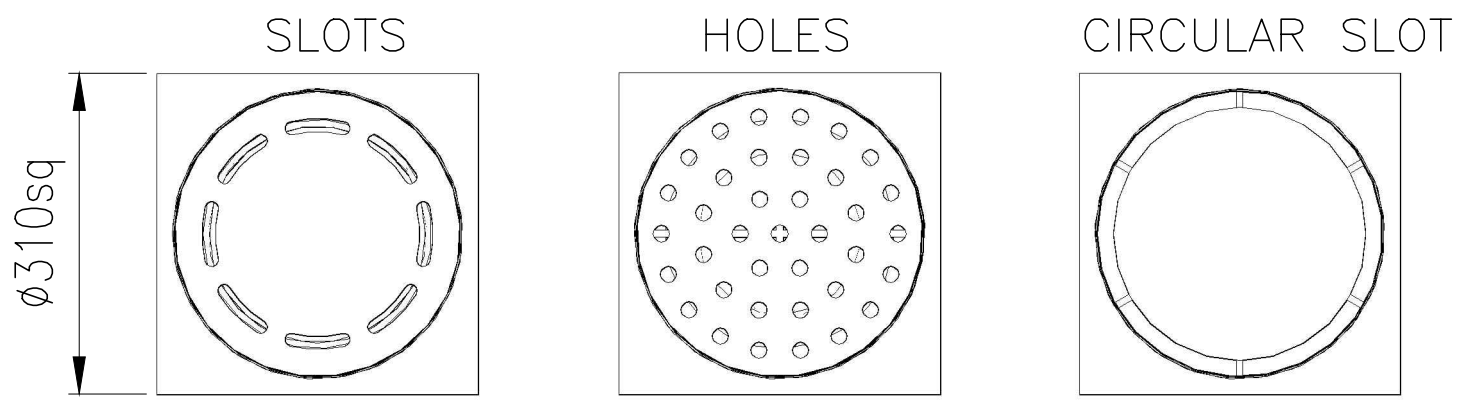


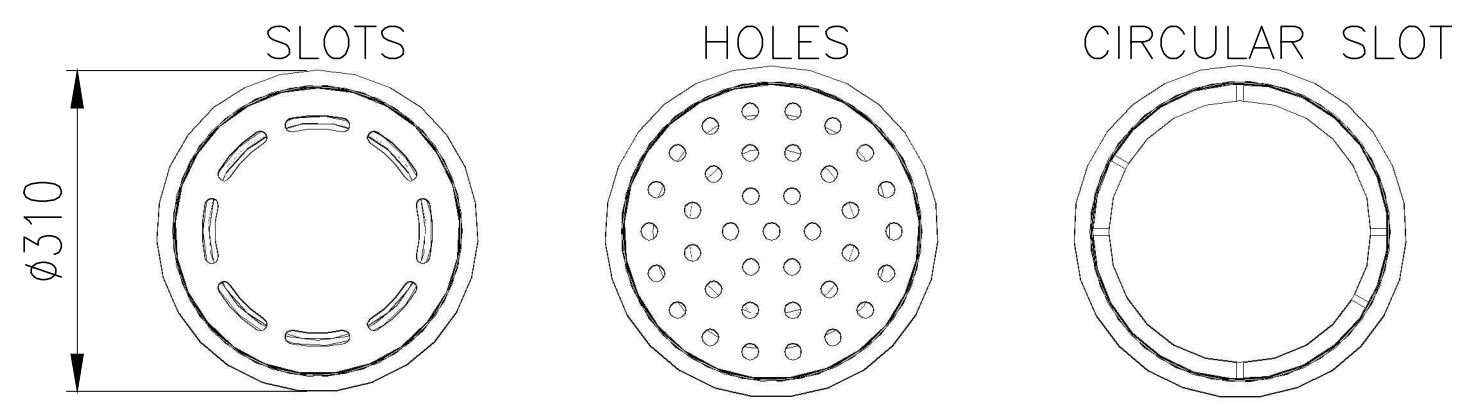
PERFORATED OUTLET  
 CAP (OPTIONAL)

- RO 280V NW100 is unique Full Flow Floor Trap with the following features:
- Manufactured from Stainless Steel 304 to ensure acid corrosion and stain resistance.
  - A double water seal to ensure odour-free operation.
  - Smooth surfaces for easy cleaning, minimum dirt collection and high flow rates.
  - A large sludge box which retains all the coarse slurry.
  - Easy to dismantle.
  - The discharge pipe is fully accessible once the drain has been dismantled.
  - Top Flange Type: Round (For Epoxy Floors) or Square (For Tiled Floors)
  - Top Cover Plate Type: Circular aperture / Slots / Holes – as requested
  - ❖ Flow Rate 4.5 l/sec
  - ❖ Load Capacity 1500 kg
  - ❖ Outlet position Bottom Vertical
  - ❖ Outlet pipe Outside Diameter 104mm / 110mm as requested
  - Typical applications: General Food Processing, Wine, Beverage, Dairy, Packaging etc. industries

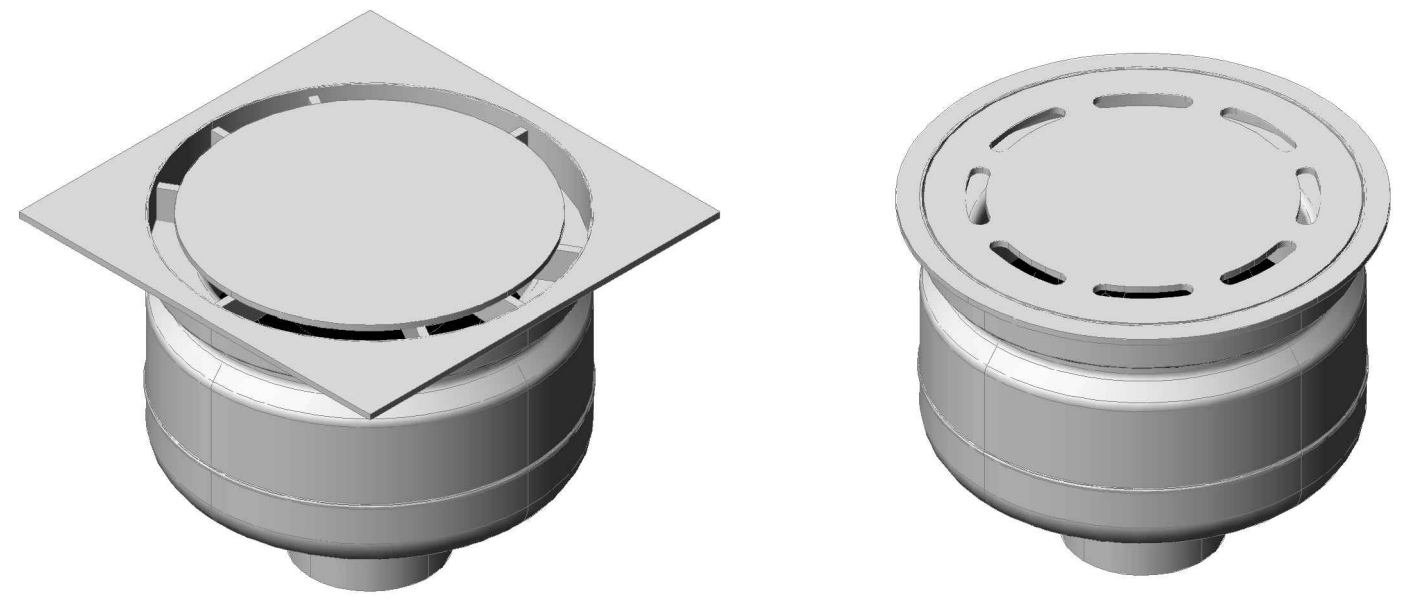
NOTE: Floor finish to be specified



SQUARE FLANGE FOR TILED FLOORS



ROUND FLANGE FOR EPOXY FLOORS



RO 280V NW100