



SAVIGNAC
BETTER EACH DAY

SAVIGNAC (PTY) LTD
REG NO. 196901724307
VAT NO. 4190114795

DIRECTORS: H.J. BUTTERY
T TAYLOR, M TAYLOR, S HAREL
P KEARSEY, L MASHER

DURBAN
T: +27 31 569 1125
F: +27 31 569 1128
SAVIDBN@SAVIGNAC.CO.ZA

75 COLUMBINE PLACE
RING ROAD INDUSTRIAL PARK
DURBAN NORTH 4051
WWW.SAVIGNAC.CO.ZA

JOHANNESBURG
T: +27 11 873 9886
SAVIJHB@SAVIGNAC.CO.ZA

PRETORIA
T: +27 12 804 0495
SAVIPTA@SAVIGNAC.CO.ZA

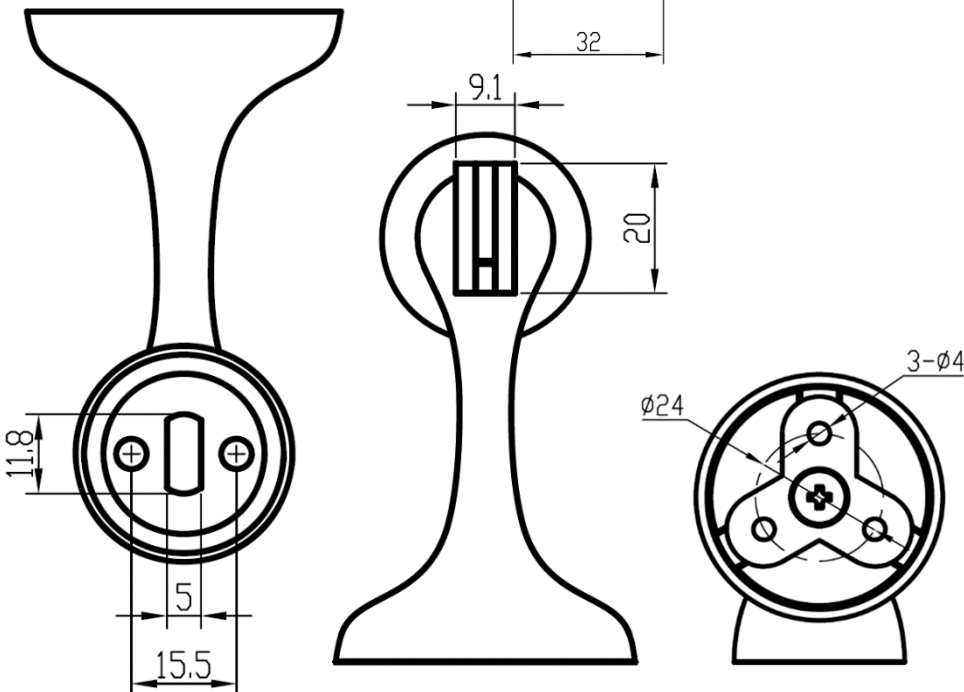
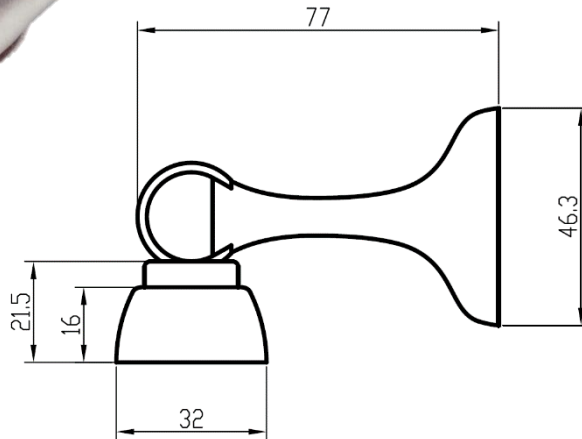
CAPE TOWN
T: +27 21 982 2427
SAVICTN@SAVIGNAC.CO.ZA

PORT ELIZABETH
T: +27 41 581 8495
SAVIPE@SAVIGNAC.CO.ZA

NELSPRUIT
T: +27 13 752 2253
SAVINLP@SAVIGNAC.CO.ZA

SAVSS08MDS

SAVI ROUNDED SS MAGNETIC DOOR STOP



DESCRIPTION

SAVI ROUNDED STAINLESS STEEL
MAGNETIC DOOR STOP

SPECIFICATIONS

- **Code:** SAVSS08MDS
- **Name:** Savi Rounded Magnetic Door Stop
- **Body composition:** AISI 304 Stainless Steel
- **Body Finish:** Satin Steel
- **Magnetic Ring Composition:** Nickel Plated Mild Steel
- **Catch Receiver Composition:** Electroplated Mild Steel
- **Body Base Diameter:** 46.3mm
- **Catch Base Diameter:** 32mm
- **Body Height:** 77mm
- **Catch Height:** 21.5mm

Supplied with Fixing Screws and Floor Anchor.

APPLICATION

- Suitable for Aluminium or Wooden Type Door applications where a Door Stop is required. Internal use suggested.
- Savignac 5 Year Guarantee applicable, Terms and Conditions Do Apply. Please ask your nearest Savignac Branch for Details.



SAVI EURO®

SAVI AFRIQ®

SAVI®