



SAVIGNAC
BETTER EACH DAY

SAVIGNAC (PTY) LTD
REG NO. 196901724307
VAT NO. 4190114795

DIRECTORS: H.J. BUTTERY
T TAYLOR, M TAYLOR, S HAREL
P KEARSEY, L MASHER

DURBAN
T: +27 31 569 1125
F: +27 31 569 1128
SAVIDBN@SAVIGNAC.CO.ZA

75 COLUMBINE PLACE
RING ROAD INDUSTRIAL PARK
DURBAN NORTH 4051
WWW.SAVIGNAC.CO.ZA

JOHANNESBURG
T: +27 11 873 9886
SAVIJHB@SAVIGNAC.CO.ZA

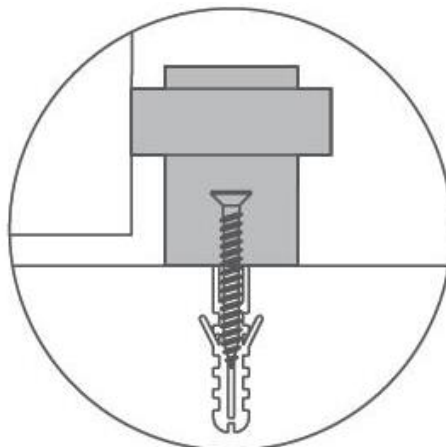
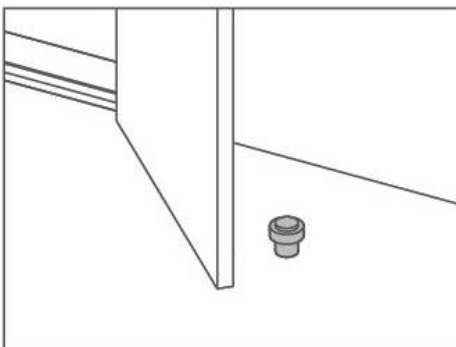
PRETORIA
T: +27 12 804 0495
SAVIPTA@SAVIGNAC.CO.ZA

CAPE TOWN
T: +27 21 982 2427
SAVICTN@SAVIGNAC.CO.ZA

PORT ELIZABETH
T: +27 41 581 8495
SAVIPE@SAVIGNAC.CO.ZA

NELSPRUIT
T: + 27 13 752 2253
SAVINLP@SAVIGNAC.CO.ZA

SAVSS11RDS SAVI SS ROUND DOOR STOP



DESCRIPTION

SAVI STAINLESS STEEL
ROUND DOOR STOP

SPECIFICATIONS

- **Code:** SAVSS11RDS
- **Name:** SAVI SS ROUND DOOR STOP
- **Body composition:** 304 GRADE STAINLESS STEEL
- **Black Ring Composition:** RUBBER
- **Finish:** BRUSHED STEEL
- **Steel Body Diameter:** 30.2mm
- **Rubber Outer Diameter:** 35mm
- **Body Height:** 40.8mm
- **Rubber Depth:** 14.2mm
- **Rubber Thickness:** 4.8mm
- **Height Rubber Ring Starts:** 22.2mm

Supplied with Screw and
Screw anchor.

APPLICATION

- Suitable for Aluminium or Wooden Type Door applications where a Door Stop is required. Internal use suggested.
- Savignac 5 Year Guarantee applicable, Terms and Conditions Do Apply. Please ask your nearest Savignac Branch for Details.