



SAVIGNAC
BETTER EACH DAY

SAVIGNAC (PTY) LTD
REG NO. 196901724307
VAT NO. 4190114795

DIRECTORS: H.J. BUTTERY
T TAYLOR, M TAYLOR, S.HAREL
P KEARSEY, L MASHER

DURBAN
T: +27 31 569 1125
F: +27 31 569 1128
SAVIDBN@SAVIGNAC.CO.ZA

75 COLUMBINE PLACE
RING ROAD INDUSTRIAL PARK
DURBAN NORTH 4051
WWW.SAVIGNAC.CO.ZA

JOHANNESBURG
T: +27 11 873 9886
SAVIJHB@SAVIGNAC.CO.ZA

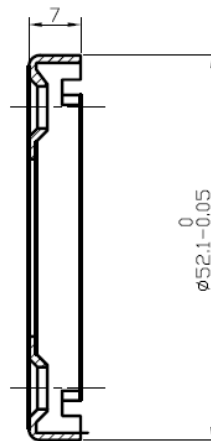
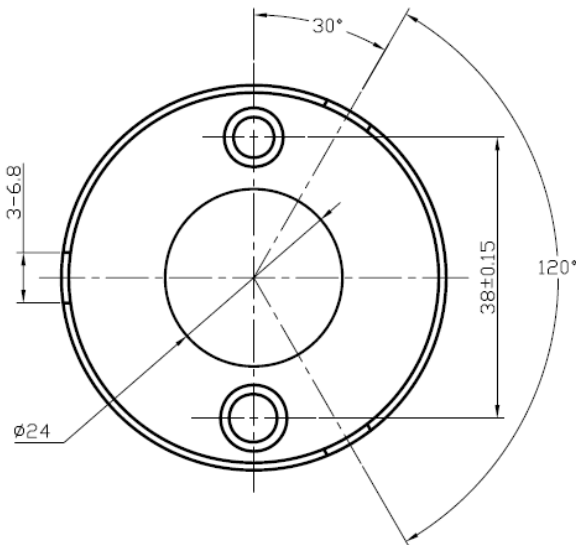
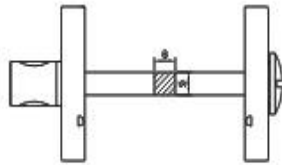
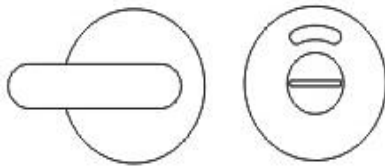
PRETORIA
T: +27 12 804 0495
SAVIPTA@SAVIGNAC.CO.ZA

CAPE TOWN
T: +27 21 982 2427
SAVICTN@SAVIGNAC.CO.ZA

PORT ELIZABETH
T: +27 41 581 8495
SAVIPE@SAVIGNAC.CO.ZA

NELSPRUIT
T: + 27 13 752 2253
SAVINLP@SAVIGNAC.CO.ZA

SAVSS15BIB SAVI BATHROOM INDICATOR WITH LEVER



DESCRIPTION

SAVI BATHROOM
INDICATOR BOLT WITH LEVER

SPECIFICATIONS

- **Code:** SAVSS15BIB
- **Name:** Savi Bathroom Indicator with Lever
- **Body composition:** 304 Grade Stainless Steel
- **Finish:** Brushed Steel
- **Outer Diameter:** 54mm
- **Escutcheon Composition:** Electroplated Steel
- **Fixing Holes:** 38mm Apart
- **Spindle Length:** 65mm
- **Spindle Dimension:** 8mm x 8mm

APPLICATION

- Suitable for Indoor Bathroom Stall Doors.
- Indicator with coin slot emergency operation
- Supplied with fixing screws and 8mm spindle
- Savignac 5 Year Guarantee applicable, Terms and Conditions Do Apply. Please ask your nearest Savignac Branch for Details.