



**SAVIGNAC**  
BETTER EACH DAY

SAVIGNAC (PTY) LTD  
REG NO. 196901724307  
VAT NO. 4190114795

DIRECTORS: H.J. BUTTERY  
T TAYLOR, M TAYLOR, S.HAREL  
P KEARSEY, L MASHER

DURBAN  
T: +27 31 569 1125  
F: +27 31 569 1128  
[SAVIDBN@SAVIGNAC.CO.ZA](mailto:SAVIDBN@SAVIGNAC.CO.ZA)

75 COLUMBINE PLACE  
RING ROAD INDUSTRIAL PARK  
DURBAN NORTH 4051  
[WWW.SAVIGNAC.CO.ZA](http://WWW.SAVIGNAC.CO.ZA)

JOHANNESBURG  
T: +27 11 873 9886  
[SAVIJHB@SAVIGNAC.CO.ZA](mailto:SAVIJHB@SAVIGNAC.CO.ZA)

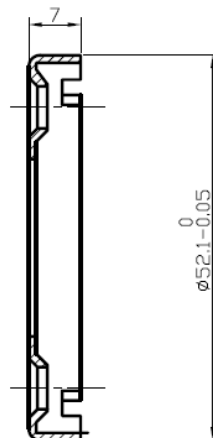
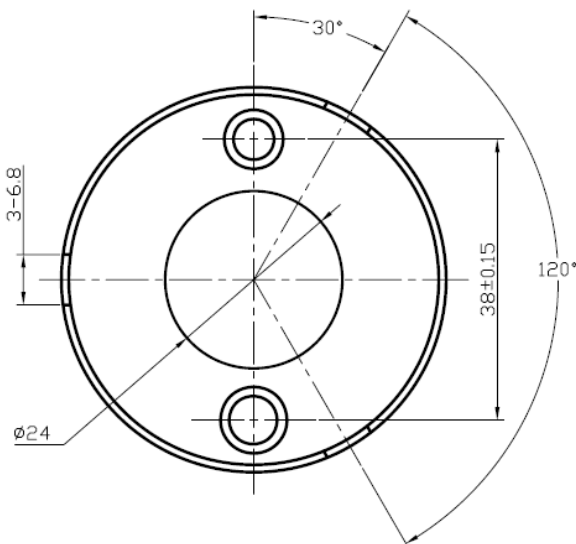
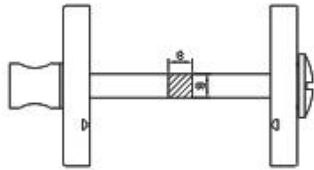
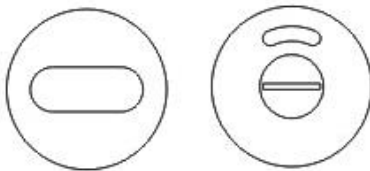
PRETORIA  
T: +27 12 804 0495  
[SAVIPTA@SAVIGNAC.CO.ZA](mailto:SAVIPTA@SAVIGNAC.CO.ZA)

CAPE TOWN  
T: +27 21 982 2427  
[SAVICTN@SAVIGNAC.CO.ZA](mailto:SAVICTN@SAVIGNAC.CO.ZA)

PORT ELIZABETH  
T: +27 41 581 8495  
[SAVIPE@SAVIGNAC.CO.ZA](mailto:SAVIPE@SAVIGNAC.CO.ZA)

NELSPRUIT  
T: + 27 13 752 2253  
[SAVINLP@SAVIGNAC.CO.ZA](mailto:SAVINLP@SAVIGNAC.CO.ZA)

## SAVSS16BIB SAVI BATHROOM INDICATOR WITH KNOB



### DESCRIPTION

SAVI BATHROOM INDICATOR  
BOLT WITH KNOB

### SPECIFICATIONS

- **Code:** SAVSS16BIB
- **Name:** Savi Bathroom Indicator with Knob
- **Body composition:** 304 Grade Stainless Steel
- **Finish:** Brushed Steel
- **Outer Diameter:** 54mm
- **Escutcheon Composition:** Electroplated Steel
- **Fixing Holes:** 38mm Apart
- **Spindle Length:** 65mm
- **Spindle Dimension:** 8mm x 8mm

### APPLICATION

- Suitable for Indoor Bathroom Stall Doors.
- Indicator with coin slot emergency operation
- Supplied with fixing screws and 8mm spindle
- Savignac 5 Year Guarantee applicable, Terms and Conditions Do Apply. Please ask your nearest Savignac Branch for Details