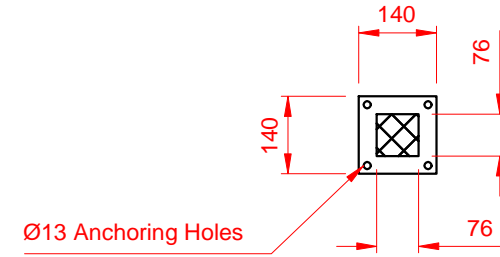
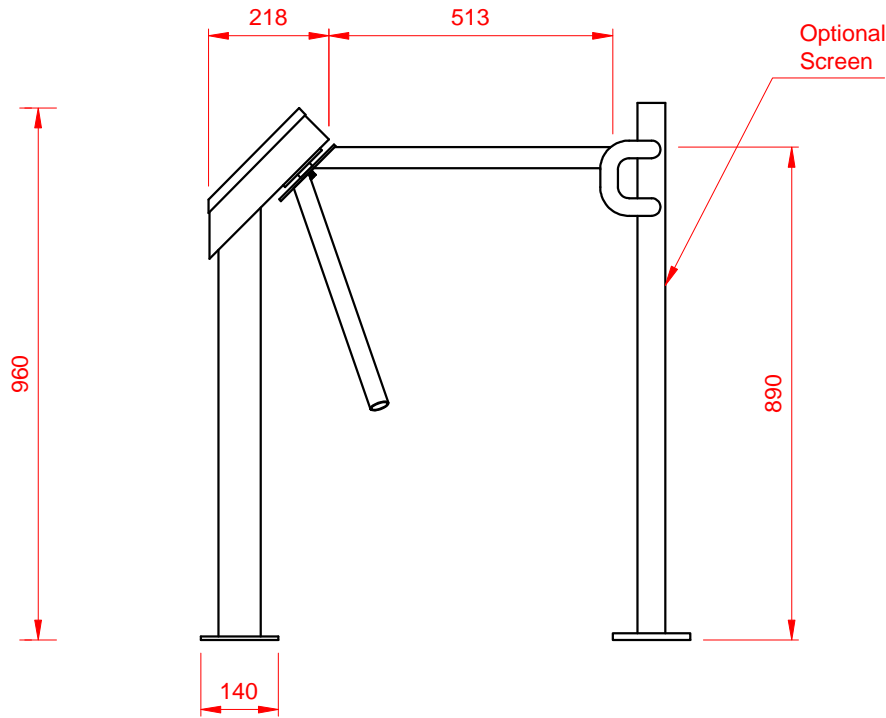


PLAN



TURNSTILE FOOTPRINT



ENTRY/ EXIT ELEVATION