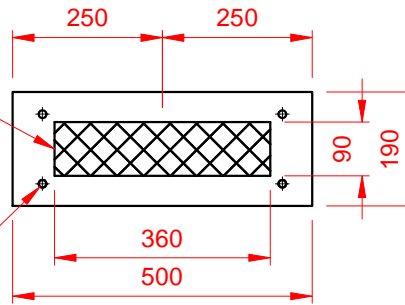


Area for Power & Control
220V AC, 50Hz Power
Requirement

Ø13 Anchoring Holes



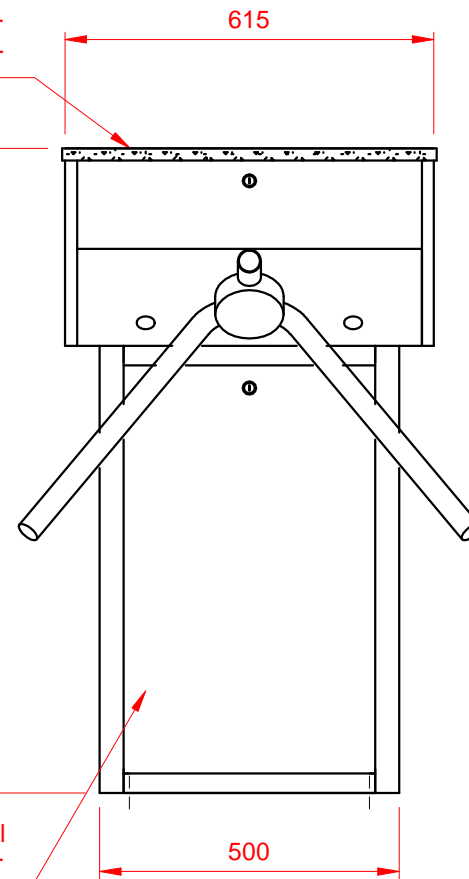
TURNSTILE FOOTPRINT

INSTALLATION REQUIREMENTS:
LEVEL FLOOR TO 5MPa STRENGTH

Stainless Steel or
Granite Top Cover

1075

Stainless Steel
access cover



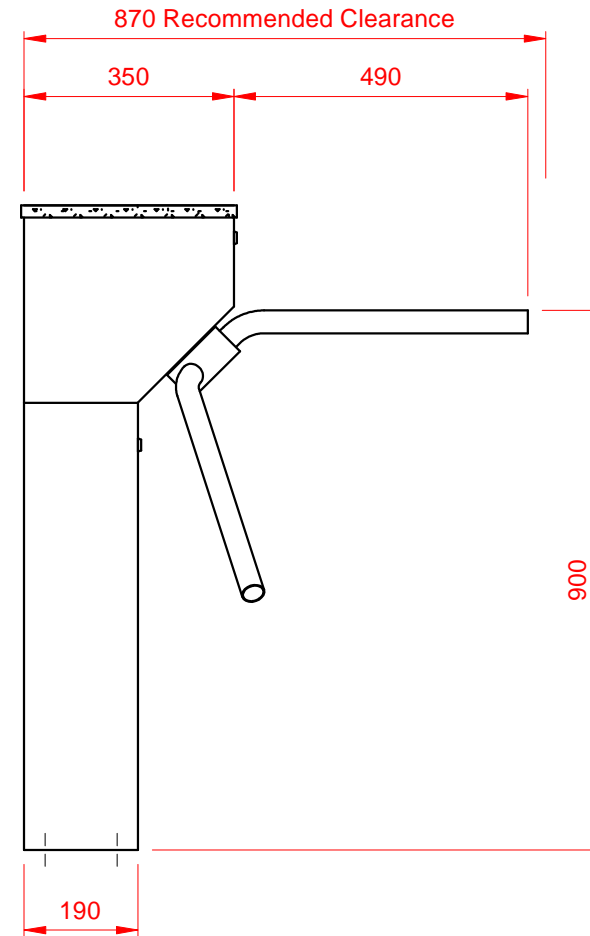
SIDE ELEVATION

870 Recommended Clearance

350

490

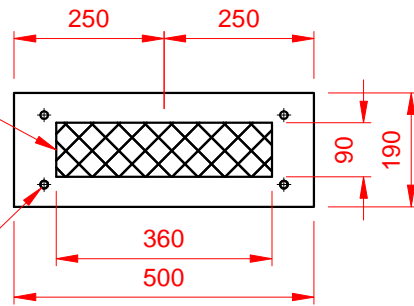
900



ENTRY/ EXIT ELEVATION

Area for Power & Control
220V AC, 50Hz Power
Requirement

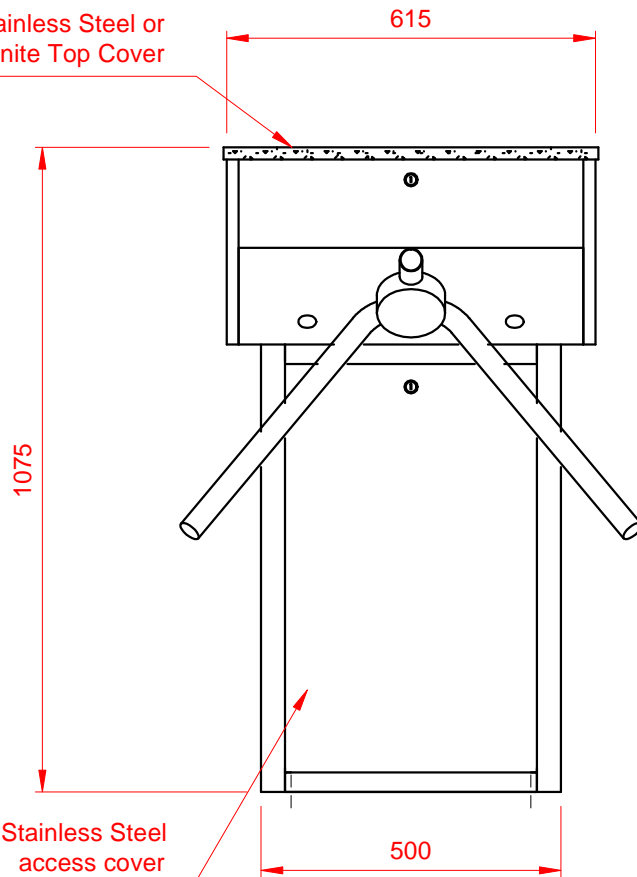
Ø13 Anchoring Holes



TURNSTILE FOOTPRINT

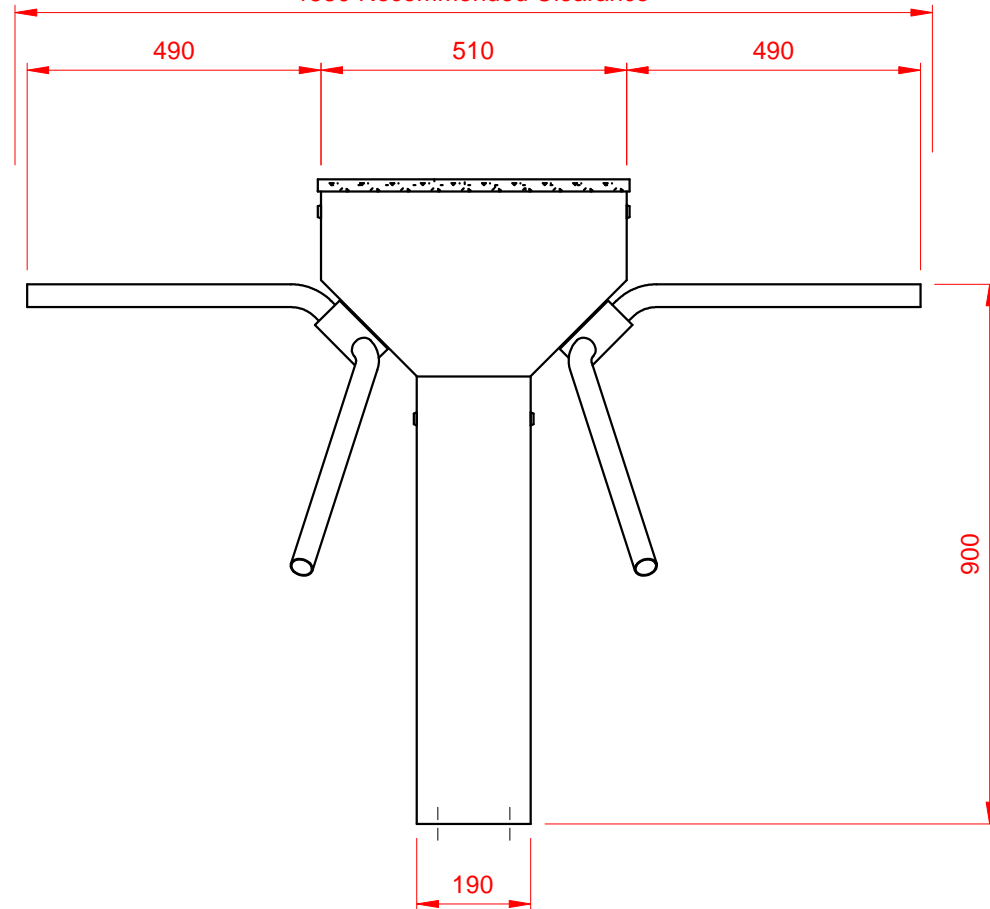
INSTALLATION REQUIREMENTS:
LEVEL FLOOR TO 5MPa STRENGTH

Stainless Steel or
Granite Top Cover



SIDE ELEVATION

1530 Recommended Clearance



SIDE ELEVATION