

## DYNAMIC DROP ARM BARRIER



- Ultra slim cabinet design
- Fitted with Turnstar's industry leading SwiftDrive®
- High speed, safe and convenient access
- Allows for special needs access
- Fitted with safety sensors for peace of mind

### APPLICATIONS

- Suited for applications requiring medium volume access and medium levels of security
- Used extensively in applications such as office reception areas, health clubs, universities and libraries

### DESIGNED FOR

- Interior installations

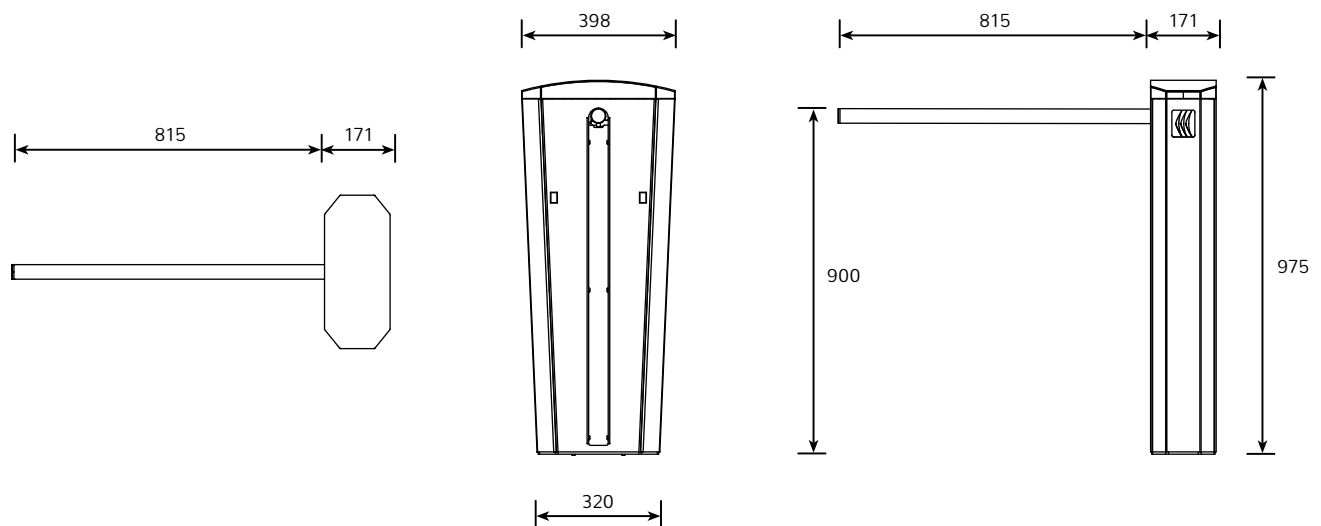
### SECURITY RATING



# TECHNICAL SPECIFICATIONS

INPUT VOLTAGE	100V – 240V AC $\pm$ 10% at 50Hz
DRIVE	SwiftDrive®
MOTOR DETAIL	BLDC, 24V DC, 100W
GEARBOX	Planetary
MOTOR POWER SUPPLY	27.6 V DC, 4.5A, 120W
OPERATING TEMPERATURE	-15°C to +60°C
DUTY CYCLE	100% - rated for continuous non-stop operation
OPENING SPEED	1 second (adjustable for slower operation)
CLOSING SPEED	1.5 seconds (adjustable for slower operation)
POWER FAILURE OPERATION	Supplied standard with battery backup (two 12V 7Ah batteries)
COLLISION DETECTION	Motor embedded hall sensors
SAFETY CONTROL	Two optical sensors
SYSTEMS INTEGRATION	<ul style="list-style-type: none"> <li>Integrates with all access control, ticketing and time &amp; attendance systems</li> <li>Triggered through a normally open dry contact. An extended trigger forces arm to stay down (fire alarm)</li> </ul>
CABINET FINISH	<ul style="list-style-type: none"> <li>304 grade brushed stainless steel</li> <li>316 grade brushed stainless steel *</li> </ul> <p>* Suitable for corrosive environments</p>

## DYNAMIC DROP ARM BARRIER



© Turnstar Systems



info@turnstar.co.za | www.turnstar.co.za

Turnstar Systems (Pty) Ltd | Reg No: 2012/100536/07 | Established in 1990

### JHB FACTORY

18 6<sup>th</sup> Street, Wynberg,  
Sandton, 2090  
T: +27 (0)11 786 1633  
F: +27 (0)11 440 5839

### CAPE BRANCH

Unit 9 Elect Park,  
13 Teejay Road, Brackenfell,  
Cape Town, 7560  
T: +27 (0)21 981 3043

### KZN BRANCH

Unit 5 - 7 Amatuli Industrial Park,  
5 - 7 Eagle Road, Shaka's Head,  
Umhlali, Kwazulu-Natal, 4420  
T: +27 (0)32 947 0391

### POSTAL ADDRESS

PO Box 41,  
Highlands North,  
2037



ISO 9001:2015