

## SUPERMARKET TRIPOD TURNSTILE

WAIST HEIGHT  
UNI-DIRECTIONAL TURNSTILE



SUPERMARKET HELICOPTER TURNSTILE  
WITH TURNSTILE SCREEN



CHROME PLATED BARRIER RAILS

### APPLICATIONS

- Suited for applications requiring one way free rotating access
- Used extensively in supermarkets and retail stores

### DESIGNED FOR

- Interior installations

### AVAILABLE CONFIGURATIONS

- Single
- Clockwise and anti-clockwise rotation

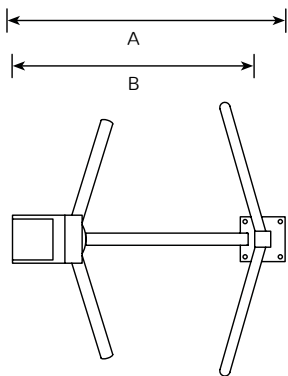
### SECURITY RATING



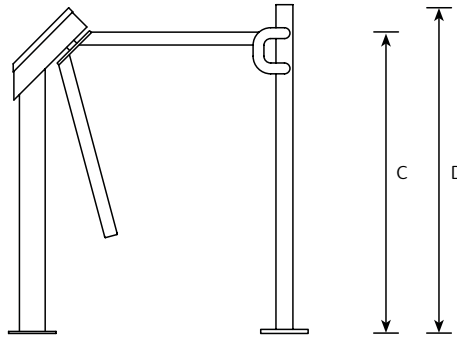
# SUPERMARKET HELICOPTER TURNSTILE

A	Required opening width	870mm	C	Turnstile arm height	900mm
B	Turnstile width	775mm	D	Overall height	960mm

## PLAN



## ELEVATION



## UNIQUE FEATURES

- One way free rotating access. The SUPERMARKET helicopter turnstile is a purely mechanical turnstile and is designed for free rotation either in a clockwise or anti-clockwise direction. The SUPERMARKET helicopter turnstile is not supplied with a locking mechanism or any electronics.
- Stainless steel tripod arms

## MANUFACTURING OPTIONS

### TURNSTILE SCREEN

SUPERMARKET helicopter turnstile screen designed to prevent the pedestrian from passing through the turnstile from the wrong way. Available in matching finish to the turnstile.

### FINISH OPTIONS FOR THE TURNSTILE PEDESTAL AND SCREEN

- Mild steel with UV resistant polyester exterior powder coat finish (white) ■
- 304 grade brushed stainless steel
- 316 grade brushed stainless steel
- other colours available on request

## STAR ADDITIONS

### BARRIER RAIL OPTION

- 1 500mm long x 900mm high chrome plated barrier rails
- Made-to-fit barrier rails in matching finish to the turnstile

### SECURITY GATE OPTION

- Made-to-fit waist height security gate in matching finish to turnstile

### TROLLEY ARCH OPTION

- Made-to-fit trolley arch in matching finish to the turnstile for supermarket applications

### SPECIFICATION FOR ARCHITECTS AND SPECIFIERS

Turnstar SUPERMARKET WAIST HEIGHT UNI-DIRECTIONAL TURNSTILE complete with SUPERMARKET TURNSTILE SCREEN, in finish (as per above options).

Due to our policy of continuous improvement, products are subject to change without notice. Custom designs are available on request.



info@turnstar.co.za | www.turnstar.co.za

Turnstar Systems (Pty) Ltd | Reg No: 2012/100536/07 | Established in 1990

#### JHB FACTORY

18 6<sup>th</sup> Street, Wynberg,  
Sandton, 2090  
T: +27 (0)11 786 1633  
F: +27 (0)11 440 5839

#### CAPE BRANCH

Unit 9 Elect Park,  
13 Teejay Road, Brackenfell,  
Cape Town, 7560  
T: +27 (0)21 981 3043

#### KZN BRANCH

Unit 5 - 7 Amatuli Industrial Park,  
5 - 7 Eagle Road, Shaka's Head,  
Umhlali, Kwazulu-Natal, 4420  
T: +27 (0)32 947 0391

#### POSTAL ADDRESS

PO Box 41,  
Highlands North,  
2037



ISO 9001:2015