

SOLA 510

SOLA 510 MEDICAL BASIN PRODUCT CODE 703700

DESCRIPTION

Vaal Sanitaryware vitreous china 510 x 400 mm semi-rectangular "Sola 510" medical basin with no tapholes, overflow or chainstay hole.

ACCESSORIES

1. 32mm standing overflow tube, chrome plated (code 8630Z0)
2. Medical mixer (Cobra code 515/055H-21)
3. 32mm basin waste unslotted, 62mm flange, 80mm tailpiece. (Cobra code 308)
4. Chrome plated bottle trap (Cobra code 340)

SPECIFICATIONS

	Mass	Volume
Basin	11.25 kg	0.052 m ³

INSTALLATION

The basin may be installed by alternative methods:

1. Bolted to the wall using two 10 mm bolts (code 8448Z0).
OR
2. Using a concealed wall bracket (code 8131Z3), and three 10 mm bolts (code 8448Z0).

Option 1

Place basin level against finished wall surface at correct height and mark fixing hole positions. Remove basin and drill holes. Attach bolts to wall, fit basin, and secure.

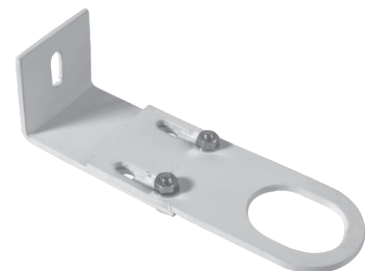
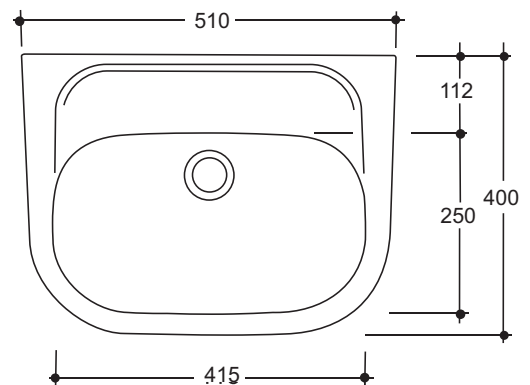
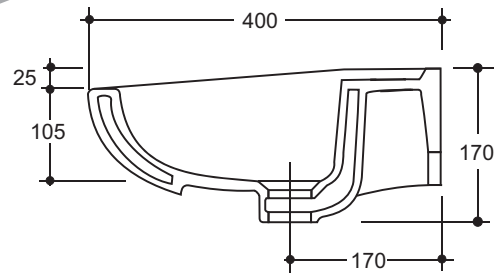
NOTE: Do not overtighten.

Option 2

Place basin level against finished wall surface at correct height and mark fixing hole positions. Remove basin and drill holes. Loosely attach concealed bracket to basin waste. Attach bolts to wall, fit basin and secure bracket to basin waste.

SPECIAL RECOMMENDATION

Always use silicone sealant or equivalent between basin and finished wall surface area for secure and neat installation.



Concealed wall bracket 8131Z3