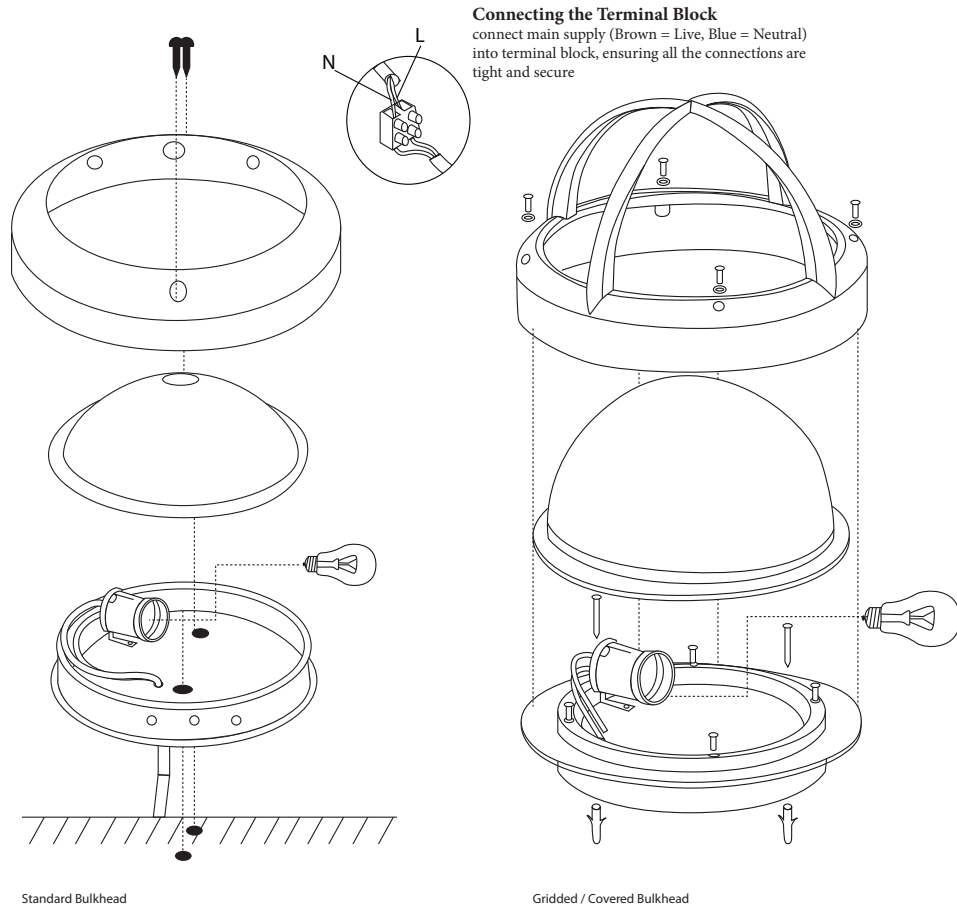


ILLUSTRATIONS



ENVIRONMENTAL PROTECTION



Waste electrical & Electronic equipment regulations requires that any of our products showing this marking must not be disposed of with other household or commercial waste. To prevent possible harm to the environment or human health from uncontrolled waste disposal, please separate any such products from other waste types and recycle it responsibly at your local facilities.

eurolux

Lighting your way

Bulkheads



B58 / B59 / B60: Excluding 1 X E27 GLS maximum 60W
B48 / B50 / B52: Excluding 1 X E27 GLS maximum 100W

PRODUCT CODE

B48 / B50 / B52 / B58 / B59 / B60

Cape Town - 9 Racecourse Road, Milnerton, 7441
Johannesburg - 10 Milkyway Avenue, Linbro Business Park, Sandton, 2065
www.eurolux.co.za

Please read instructions before commencing installation and retain for future reference.


SPECIFICATIONS

- **Fitting Material:** Die cast aluminium.
- **Lamp type:**
B58 / B59 / B60 : Excluding 1 x E27 GLS maximum 60W.
B48 / B50 / B52: Excluding 1 x E27 GLS maximum 100W.
- **Voltage:** 220V - 240V ~ 50Hz.
- **Protection against electric shock:** Class 1. Requires earthing.
- **IP Rating:** IP54, Dust Protected. Ingress of dust not totally prevented, but will not penetrate in a quantity to interfere with satisfactory operation or to impair safety. Protected against splashing water.
- Commercial use.
- Suitable for outdoor use.
- **Maximum Ambient temperature range:** 20°C - 40°C.
- Can be used in coastal areas and other corrosive environments.
- **Dimensions:**
B48: (H)160mm X (W)285mm X (D)120mm
B50: (H)165mm X (W)280mm X (D)120mm
B52: (H)165mm X (W)280mm X (D)120mm
B58: (H)110mm X (W)210mm X (D)95mm
B59: (H)110mm X (W)210mm X (D)90mm
B60: (H)210mm X (W)210mm X (D)95mm
- **Spare glass:**
B48: Code: X174
B50: Code: X174
B52: Code: X174
B58: Code: X176
B59: Code: X176
B60: Code: X176

IMPORTANT SAFEGUARDS

B48 / B50 / B52 / B58 / B59 / B60 / B114 - attachments:

If the external flexible cable or cord of this luminaire is damaged, it should be exclusively replaced by the manufacturer or his service agent or a similar qualified person in order to avoid a hazard. To ensure that you get maximum longevity and maximum use out of your luminaire, please observe the following safety instructions.

 Electrical products can cause death, injury, or damage to property. Installation of the luminaire must be carried out by a qualified electrician, in accordance with SANS 10142. On completion of installation, ensure that the Certificate of Compliance is updated.

- Before connecting this luminaire, ensure that voltage indicated on the rating label corresponds with the mains voltage in your home.
- When changing the lamp, ensure that the power is turned off.
- This luminaire is checked in full for conformity to the quality standards and safety requirements.
- The manufacturer / supplier is not responsible for any damage of properties and persons, caused by the incorrect use or installation of the luminaire.
- Should you be unsure of how to install this luminaire correctly, please consult a professional electrician or your supplier for assistance.
- Ensure all items / components, threads and screws are tightly secured.

IMPORTANT:

- Tampering with this luminaire, i.e. using silicon sealers or incorrect cabling, will invalidate your warranty.
- When the protection glass is damaged, it should be replaced immediately. The luminaire must not be used without the protection glass.
- Please check whether the connection of the power cord is safe and reliable before installation.
- Always ensure that the mains supply voltage is correct.
- Always replace the lamp with one of an identical rating.
- Ensure that you do not place the luminaire near any combustible materials and / or surfaces.
- Choking hazard: May contain small parts. Keep away from children.
- Do not insert your fingers or any part of your body into the electrical contact and sockets of this product whilst it is connected to the electricity supply.
- Item may vary slightly from the picture on the carton.
- Coastal humidity may effect the longevity of the luminaire.
- Outdoor luminaires must be cleaned to prevent rust occurring.
- Use a copper grease on all screws or strings.

INSTALLATION

Switch the power off before commencing with the installation.

Installation:

1. Fix the cable through the grommet of the lamp base, or by using the appropriate water proof gland.
Note the green/yellow wire should be connected to the earth terminal.
2. Use the plastic screws, fix the lamp base to the mounting surface.
3. Connect the blue/brown wires to the L and N position of the lamp socket, and connect the green/yellow wires to the lamp body where the earth symbol is placed.
4. Screw the lamp into the socket. The power of the lamp should not exceed the maximum power which is rated.
5. Mount the upper cover and fix it in place with the screws.

Changing the lamp:

Switch the power off before commencing with the installation.

1. Always ensure the lamp has been allowed to cool before attempting to change the lamp.
2. Open the luminaire cover.
3. Carefully unscrew the lamp.
4. Carefully screw in the new replacement lamp.
5. Close the luminaire, fastening any loose screws before re-connecting the electricity and turning the luminaire on.

CLEANING

- Before cleaning always ensure the power supply is turned off.
- Do not immerse the luminaire in water.
- No abrasive products, solvents, detergent may be used to clean this luminaire.
- Ensure that the fitting does not come in contact with corrosive chemicals, etc.
- Coastal areas ensure that the luminaire is cleaned fortnightly.