

**Section 2. – F-Box Full-bore Drains****2.2. F-Box Full-Bore HyDrain 2<sup>nd</sup> Fix****2.2.1 Definition: Full-Bore / Surface Drain (NO TRAP INCLUDED)****2.2.2 Product introduction of the HyDrain 2<sup>nd</sup> Fix Pack:****A Full-Bore Drain designed for ease of installation and ensuring a High-Quality Finish.**

The **HyDrain** is an ideal cost-effective replacement for the traditional cast iron Full-Bore type and is specifically designed for use as a Full-Bore drain where needed and is supplied in an easy-to-use pack with comprehensive installation instructions for the installer/end user's convenience.

The **HyDrain 2<sup>nd</sup> Fix** comprises of the following components:

A Waterproofing Flange, manufactured from Glass filled Nylon, which is compatible with most conventional methods and applications of waterproofing.

A Domed Grate which is made from Polypropylene with added UV stabilisers to increase longevity in outdoor applications/installations and is specifically designed with two tiers to attempt to prevent blockage by debris and is the last step to achieving a High Quality Full-Bore.

It is supplied with 4x Nuts & Bolts for the fastening down of the Dome Grate and 4 x Finishing Plugs.

**2.2.3 Key Benefits:**

- a. Agrément Certified: 2017/540
- b. Easy to install and maintain ensuring a quality finish.
- c. Domed Grate will not corrode or rust over time (Sea Quality, perfect for both coastal and inland installations)
- d. The M-Sert Waterproofing Flange is height adjustable to obtain an optimal flush finish.
- e. Waterproofing Flange can be trimmed to fit awkward spaces.
- f. Fits snugly into any of the following Seaqual 1<sup>st</sup> Fix Packs: WetFloor & Balcony / HyDrain ranges.
- g. Manufactured from Green sustainable & recyclable materials.

**2.2.4 Applications:**

- Installation to concrete flat roofs and balconies for the effective drainage of rain/storm/surface water
- Pipeline can be connected to a rainwater harvesting system.
- Can be used inside roof-top planter boxes and or roof gardens.

**2.2.5 Installation: Once the desired point of installation has been selected/identified.**

**PLEASE NOTE: Handle all Seaqual Products with Care and store unused products and materials in a safe place.**

**When gluing/solvent cementing our product, only Oatey's Heavy Duty PVC Glue and allow the appropriate drying time!**

**To achieve a perfect finish the Finished Floor Level must be made available to the contractor ahead of installation.**

- 2.2.5.1.a Read instructions and check that all components are supplied.
- 2.2.5.1.b If necessary, make use of the eye-lugs found on the body of the F-Box.
- 2.2.5.1.c Special care must be taken while securing the F-Box to its selected PVC outlet size, by applying the appropriate Oatey's Heavy Duty PVC Glue in conjunction with the appropriate fittings.
- 2.2.5.1.d Ensure that the F-Box is square and level and flush with the top of the slab and that the Round Red Dust Cover is securely fitted before the final concrete pour.

- 2.2.5.1.e Once the concrete has cured and the final screed has been applied with its falls to the slab, by removing the Round Red Dust Cover
- 2.2.5.1.f Temporarily insert the M-sert Waterproofing Flange and adjust its height accordingly so that it lies flush with the top of the slab ensuring it is embedded and caulked with a cement mix ensuring that NO dirt or debris can enter the drain when the final waterproofing phase commences.
- 2.2.5.1.g Waterproofing can commence as soon as the cement has dried/cured and **should be done by a specialist or a qualified agent.**
- 2.2.5.1.h Once waterproofing and final surface is completed, simply bolt the Unique Domed Grate into position with the bolts provided and finish by inserting the supplied F-Box Full-Bore Drain Plugs.
- 2.2.5.1.i RETAIN the FG code provided on the product / packaging for traceability purposes.

### **2.2.5.2 Alternative installation of 110mm Full- Bore HyDrain 2<sup>nd</sup> Fix to a 110mm / storm water system.**

**Once the desired point of installation has been selected and identified, make absolutely sure of the Finished Floor Level (FFL) before starting your installation.**

- 2.2.5.2.a Select a 110mm socket or bend (rubber sealing ring type) of your choice which can join the M-Sert Waterproofing Flange to the 110mm pipe system.
- 2.2.5.2.b Temporarily insert the M-Sert Waterproofing Flange and adjust its height accordingly so that it lies flush with the top of the slab (FFL).
- 2.2.5.2.c Once the final finished level has been established, ensure that it is embedded and caulked with a cement mix and / or make use of the provided screw holes in order to fasten it to the slab.
- 2.2.5.2.d Ensure that NO dirt or debris can enter the drain when the final waterproofing phase commences.
- 2.2.5.2.e Waterproofing can commence as soon as the concrete / cement has dried / cured and **should be done by a specialist or an authorised qualified agent.**
- 2.2.5.2.f Once waterproofing and final surface is completed, simply bolt the “Unique Domed Grate” into position with the bolts provided and finished by inserting the supplied “Full-Bore HyDrain Plugs”

**Congratulations you are a proud installer/owner of another High Quality finished Seaqual product.**

### **2.2.6 Maintenance requirements of the drain:**

NOTE: RETAIN the FG code provided on the product / packaging for traceability purposes.

**NOTE: It is important to keep the Full-Bore Drain well maintained and cleaned by either the user or a plumber and should be done regularly according to a maintenance plan or when: -**

- The storm/surface water has become noticeably slow while draining away
- The storm/surface water has become blocked and cannot drain away

**In which case apply the following:**

- 2.2.6.1 Check that debris has not formed a blockage around or on the two-tier Domed Grate. If this is the case simply remove and discard the debris!
- 2.2.6.2 Remove the grate and carefully inspect the F-Box for any foreign matter
- 2.2.6.3 Clean the F-Box while ensuring that No Foreign Matter enters the Storm/Harvesting Water System
- 2.2.6.4 Test the system by flushing only Fresh Water through the drain (as it could be connected to a harvest system) and once satisfied, insert the grate

**\*\*Should any technical assistance be needed during your installation please call our help line 044 382 3484 from Monday - Thursday from 8am till 5pm and Fridays from 8am till 3pm. Alternatively send an email to [tech@seaqual.co.za](mailto:tech@seaqual.co.za). \*\***

# Seaqual Technical Data Sheet – HyDrain



Please contact our Head Office for alternative Product Technical Data Sheet for other full-bore applications such as the BalconyDrain range of products.

Please contact our Head Office for alternative Product Technical Data Sheets.

1. F-Box Full-Bore BalconyDrain 1<sup>st</sup> Fix Pack Options
2. F-Box Full-Bore BalconyDrain 2<sup>nd</sup> Fix Pack Options
3. F-Box Full-Bore BalconyDrain Complete Options

## 2.2.7 HyDrain 2<sup>nd</sup> Fix Product Data Table:

<b>Product Name:</b>	<b>HyDrain 2<sup>nd</sup> Fix Dome &amp; Flange 110mm dia Outlet</b>
<b>Product Code</b>	097704
<b>Product Image</b>	
<b>Total Height from base to top of Grate</b>	169mm
<b>Outlet OD</b>	110mm
<b>Outlet ID</b>	106mm
<b>Height from base of outlet to top of Flange</b>	97mm
<b>Height from top of Flange to top of Grate</b>	72mm
<b>Width at widest point</b>	280mm x 280mm – Flange
<b>Product Weight in Grams</b>	780g
<b>Height Adjustable</b>	Yes
<b>Compatible with all Seaqual Grates</b>	Yes
<b>Protection feature</b>	Yes – Two-Tiered Dome
<b>Product Warranty</b>	10 years
<b>Product Application</b>	Full-Bore / controlled drainage point for removal of storm water
<b>Average Flow Rate:</b>	400 L/Min
<b>Design Information</b>	
<b>Auto CAD</b>	Yes -2D & 3D
<b>Revit</b>	Yes
<b>Packaging Data</b>	
<b>Packaging info</b>	Printed Carton with labels
<b>Box Dimensions</b>	320mm x 115mm x 285mm

Items / Outer Box	10
Total Weight of Outer Box	7.70kg
Dimensions of Outer Box	580mm x 320mm x 800mm
Product Barcode:	6009819880692
Outer Box Barcode:	16009819880699

### 2.2.8 Terms & Conditions of Product Warranty

On the conditions appearing below Seaqual warrants that the products it manufactures are free from defect for the periods set out in Warranty Period column for use in the manner described in the Application column.

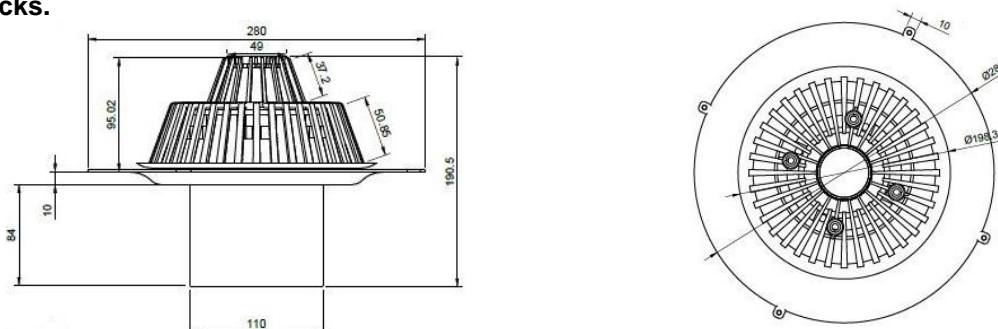
Seaquals range of products are made from different types of plastics which determines their longevity. Research into the various plastics Seaqual uses indicates that the life expectancy of the various materials ranges from 50 to 100 years and for this reason Seaqual can confidently offer the lengthy warranties set out in the schedule. Under this warranty Seaqual undertakes to replace any item that does not last for the period of the warranty provided that the following conditions are met:-

- 2.2.8.1 Any failure of the product has not been caused by abuse of the Product.
- 2.2.8.2 The Product has been correctly installed in terms of the Installation Instructions provided by Seaqual.
- 2.2.8.3 In the case of floor drains / full-bores / sumps no corrosive liquids have been poured into or through the Product.
- 2.2.8.4 The purchase receipt pertaining to the purchase of the Product or details of where purchased are provided.
- 2.2.8.5 The claim is submitted online to the Technical Director, Seaqual (Pty) Ltd at [tech@seaqual.co.za](mailto:tech@seaqual.co.za) or in writing to Seaqual at 5 Fechter Street, Knysna Western Cape.
- 2.2.8.6 Photographs of the defective Product are submitted with the claim, Seaqual reserving the right to call for the defective Product itself should the photographs be insufficient evidence of any alleged defect (this within Seaquals sole discretion);
- 2.2.8.7 The claim is limited to the actual replacement of any defective product at no cost to the purchaser/claimant and does not cover any consequential losses that the purchaser may contend he or she has suffered.

**NOTE: The 10 year warranty excludes any component of the product which is not manufactured by Seaqual such as the rubber seals, nuts and bolts. These items carry a 2 year warranty against manufacturer defects. Please note that Seaqual cannot be held responsible for inaccurate installation processes.**

### 2.2.9 Drawings

Email [tech@seaqual.co.za](mailto:tech@seaqual.co.za) for 2D & 3D CAD Drawings / Revit Drawings of Full-Bore HyDrain 2<sup>nd</sup> Fix Packs.



## 2.2.10 Certifications



Sequal (Pty) Ltd is ISO9001:2015 Certified.

### **WHOLLY MANUFACTURED IN SOUTH AFRICA – Tariff Heading / HS Code 3922.90.90**

These products are available through most Plumbing Merchants within South Africa and can be viewed on our website: <http://www.seaqual.co.za>.

Request for quotations or placing of Orders can be sent to [orders@seaqual.co.za](mailto:orders@seaqual.co.za)